

# nuvo ALL-IN-ONE AQUARIUMS

user's guide

FUSION PRO (DESKTOP)

FUSION PRO (MIDSIZE)

SR PRO (FULLSIZE)

CONCEPT PRO (DESKTOP)

INNOVATIVE

IM

MARINE

Escape Your World...  
...Dive into Ours

### Let's get the legal jargon out of the way.

To guard against injury, basic safety precautions should be observed including the following:

**READ ALL SAFETY INSTRUCTIONS BEFORE USE.**

To avoid electric shock, special care should be taken since water is employed in the use of aquarium equipment. For each of the following situations, do not attempt to repair yourself. Return the appliance to an authorized service facility for service or discard the appliance.

If the appliance falls into water, **DO NOT** reach for it! First unplug it and then retrieve it. If the electrical components of the appliance get wet, unplug the appliance immediately.

Carefully examine the appliance after installation. It should not be plugged in if there is water on parts not intended to be wet.

Do not operate any appliance if it has a damaged cord or plug, or if it is malfunctioning or if it is dropped or damaged in any manner.

To avoid the possibility of the appliance plug or receptacle getting wet, position aquarium to one side of a wall mounted receptacle to prevent water from dripping onto the receptacle plug. A "Drip Loop" should be arranged by the user for EACH cord connecting an aquarium appliance to a receptacle. The "Drip Loop" is that part of the cord below the level of the receptacle or the connector if an extension cord is used. This "Drip Loop" prevents water traveling along the cord and coming in contact with the receptacle. If the plug or the receptacle do get wet **DO NOT** unplug the cord. Disconnect the fuse to the circuit breaker that supplies power to the appliance. Then unplug and examine for the presence of water in the receptacle.



Always unplug an appliance from the outlet when not in use, before putting on or taking off parts, and before cleaning. Never yank the cord to pull plug from outlet. Grasp the plug and pull to disconnect.

Do not use an appliance for other than intended use. The use of attachments not recommended or sold by the appliance manufacturer may cause an unsafe condition.

Make sure an appliance mounted on a tank is securely installed before operating it.

Read and observe all the important notices on the appliance.

This appliance has a polarized plug (one blade is wider than the other). As a safety feature, this plug will fit in a polarized outlet only one way. If the plug does not fit fully in the outlet, reverse the plug. If it still does not fit, contact a qualified electrician. Never use with an extension cord unless plug can be fully inserted. Do not attempt to defeat this safety feature.

This appliance is intended FOR HOUSEHOLD USE ONLY.

## FINDING A LOCATION

- Find a location that can handle the weight of your NUVO
- Do not install or store the aquarium where it will be exposed to the weather or to temperatures below freezing.
- Do not place aquarium in direct sunlight or near heater vents.
- We recommend ambient room temperature around 25° C/ 77° F.
- Place aquarium 5-6" away from the wall to allow access to the back if needed
- Make sure surrounding appliances are waterproof and move anything that might be damaged by salt creep.

## Leak Testing and Filling Your NUVO

- Find a good location to test your aquarium.
- A flat/level garage or covered patio is ideal to test in case of an unforeseen leak.
- Slowly fill your aquarium from the display portion of the tank and let the water naturally enter the overflows.
- Plug in your pumps and continue adding water until your water line reaches about 1" under the last baffle wall in the back of the aquarium
- Check every 8 hours over the next 24 hours for leaks. If any leaks have been detected please contact your authorized Innovative Marine Dealer immediately.

- Make sure your NUVO is set on a level surface to prevent undue stress on the aquarium tank from stress and leaks.
- It is not recommended that this aquarium is set upon coffee tables, end tables, TV stands, or night stands unless the structure has been properly tested to withstand the weight limits of the aquarium.
- Please pay special attention when leveling your aquarium on carpet.
- Before lifting your aquarium, make sure your stand is in position and your leveling mat is properly adhered to the bottom of your aquarium.
- Lifting the glass aquarium onto its stand will require more than two people. Please use proper lifting techniques when lifting large heavy objects.
- Lift from the bottom of the aquarium DO NOT lift using the aquariums' glass edges this will cause stress on the glass and seals and may cause leakage. The back of the aquarium should be flush with your stand and all four corners are not overhanging the edges.
- Once you have placed your aquarium atop your stand, make sure your stand has not moved from its position.
- Place a level on edge of tank, if necessary readjust and reposition tank and stand using composite shims.

**If you have any additional questions give us a call.**

**We have customer service staff that can answer any questions that you have.**

**866-368-7941 | [info@innovative-marine.com](mailto:info@innovative-marine.com)**

**Thank You for choosing Innovative Marine. Here is our promise to you.**

### **High Quality Control:**

We know you expect a premium product, so we only utilize the best raw materials and hand inspect each and every item for imperfections or defects before they reach your hands.



You handle the livestock inside, and we will handle the rest. We Promise.

### **Customer Experience:**

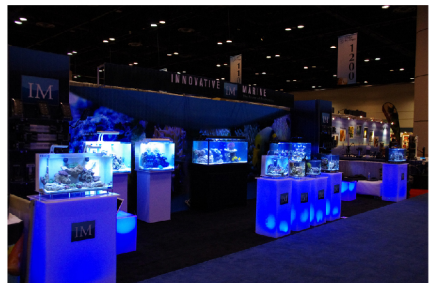
Our goal at IM, is help you succeed with less pain and more enjoyment.



We are always here to answer questions quickly, help you with a aquarium build, or assist with a warranty item. We're not happy until you are... just let us know how we can help.

### **Plethora of Choices:**

If it can hold water, we probably make it! Some competitors offer 3 or 4 models, We think you should have choices so we offer a little more ;)





We design and manufacture All-In-Ones, Reef Ready External Overflow Systems, and Reef Ready Internal Overflow Systems. That's 30 models and counting with every shape from a traditional lagoon to conceptual drop-off aquarium.

## Innovation:

We love solving problems that make your life easier. You can bet we are always working on something new or adding our own twist on products so you don't have to.

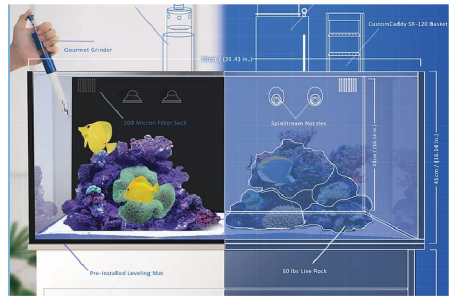


Our products have won multiple awards and we have been issued a host of patents for our original designs. We are obsessed with innovation, I guess we have to be since it's our namesake.

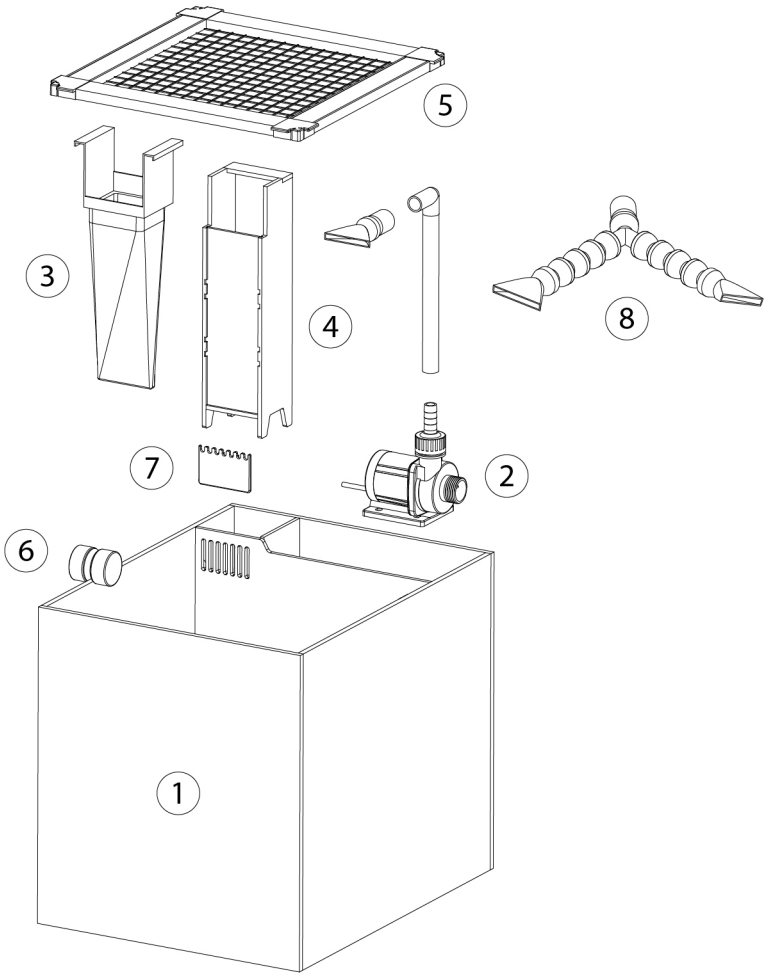
## Trusted Experience:

Not our first Rodeo, our experienced staff have literally been in every aspect of the aquarium industry.

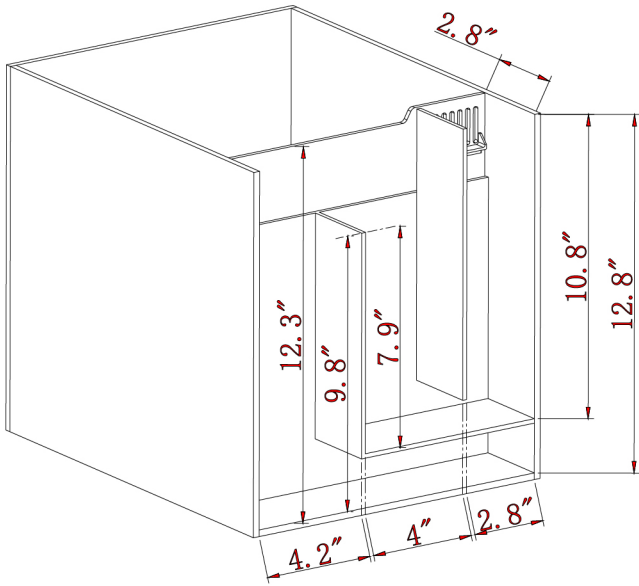
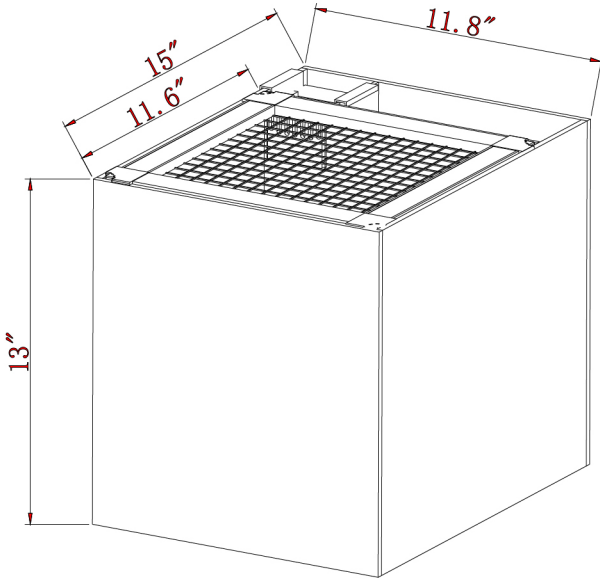
Many of us here started in retail, wholesale, manufacturing & design.



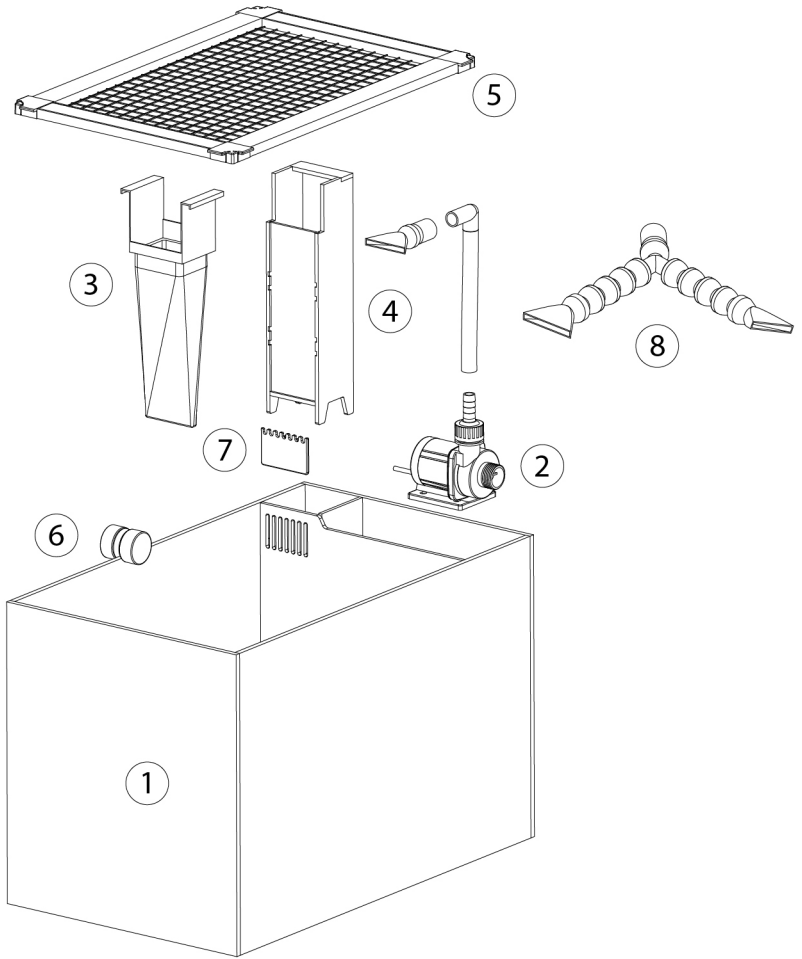
Our design team even help launch and develop the All-In-One aquarium category over 16 years ago. This advantage allows us to see the product through many different perspectives.



#	Description	Item Code
1	10 Gallon Aquarium	020501
2	MightyJet™ 326 GPH Return Pump	8501
3	200 Micron Water Polishing Sock (Desktop)	9003
4	CustomCaddy™ Media Basket (Desktop)	7406
5	SafeScreen™ Mesh Lid	020504
6	MicroMag™ Magnetic Glass Cleaner	8201
7	HighTide™ Water Level Riser (Desktop)	8704
8	NuvoNozzle™ Dual Return Nozzle	8400

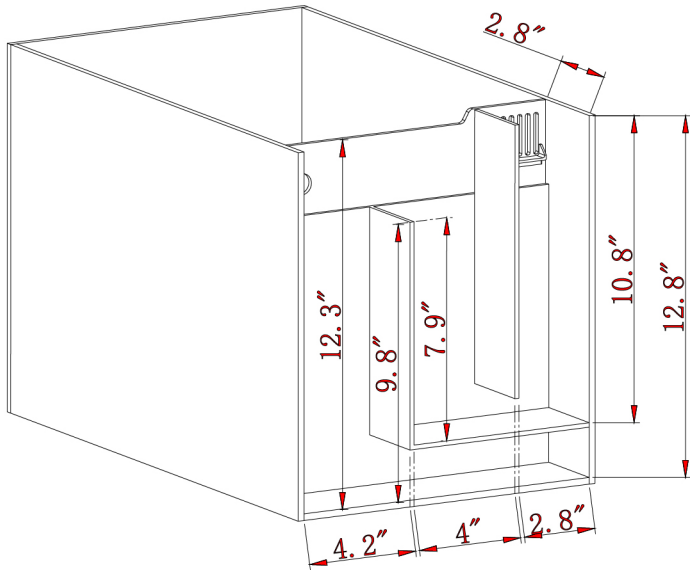
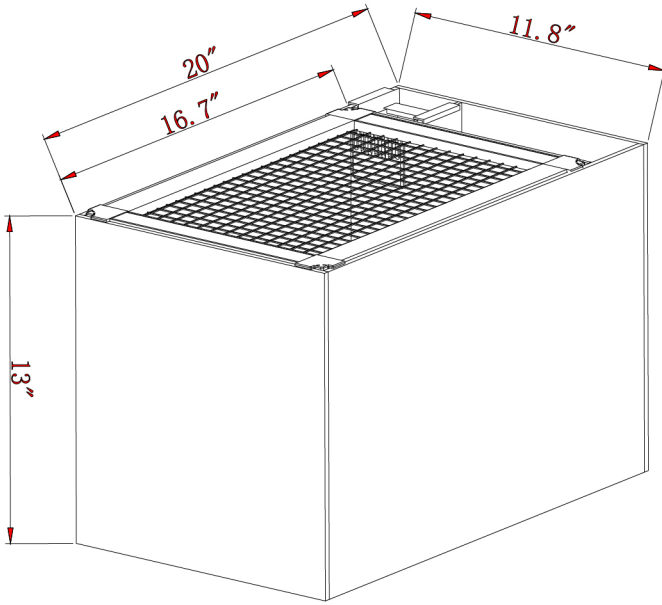


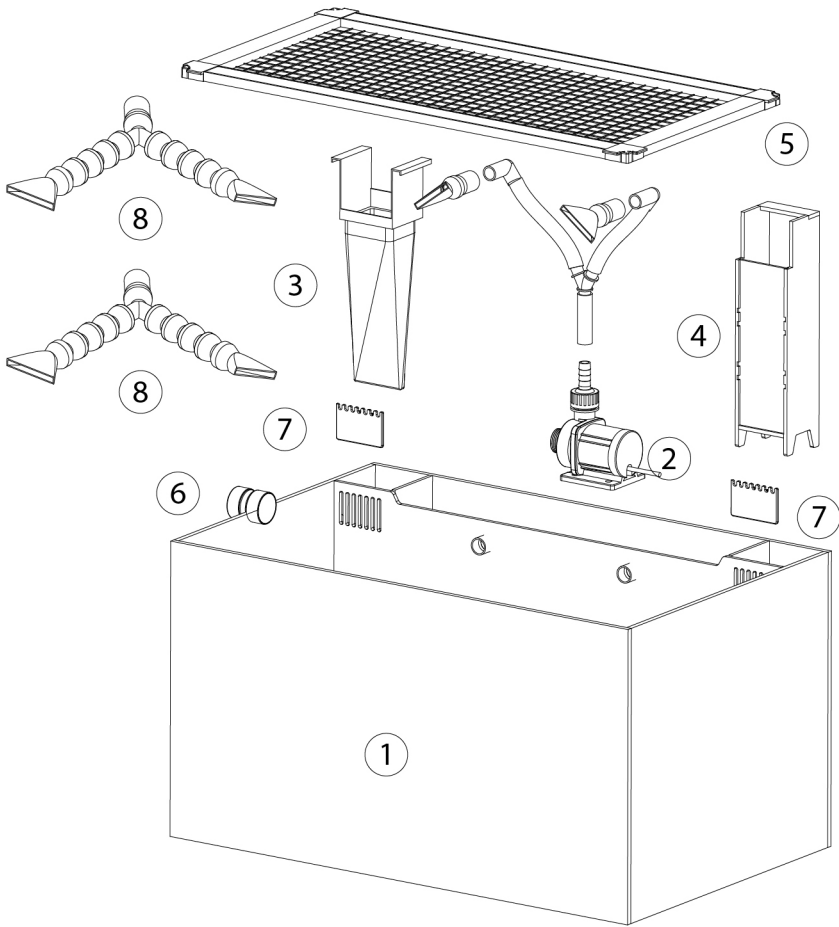
# NUVO Fusion Pro 14 Peninsula - 0207-P



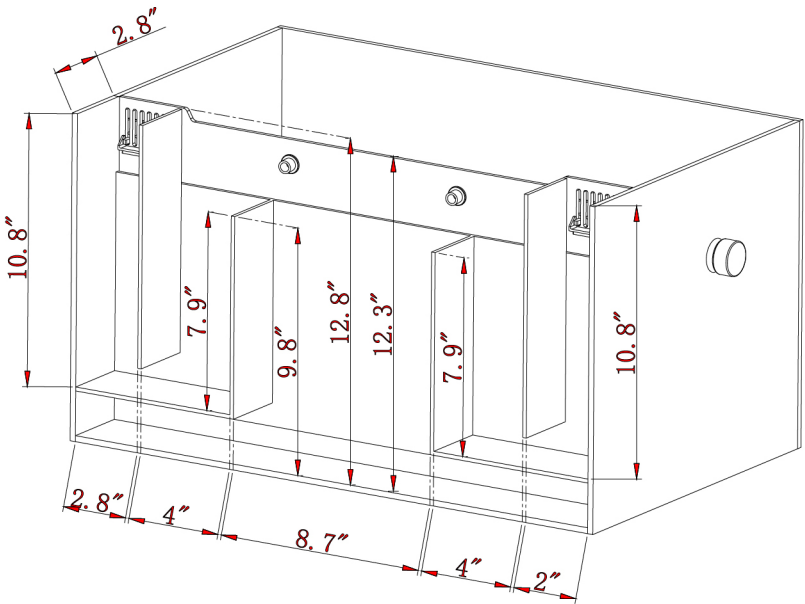
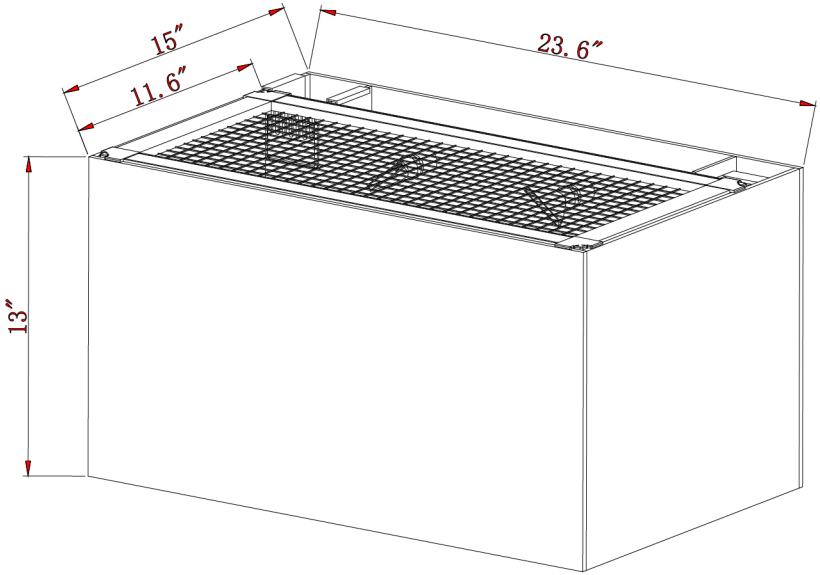
#	Description	Item Code
1	14 Gallon Aquarium	020701
2	MightyJet™ 326 GPH Return Pump	8501
3	200 Micron Water Polishing Sock (Desktop)	9003
4	CustomCaddy™ Media Basket (Desktop)	7406
5	SafeScreen™ Mesh Lid	020704
6	MicroMag™ Magnetic Glass Cleaner	8201
7	HighTide™ Water Level Riser (Desktop)	8704
8	NuvoNozzle™ Dual Return Nozzle	8400



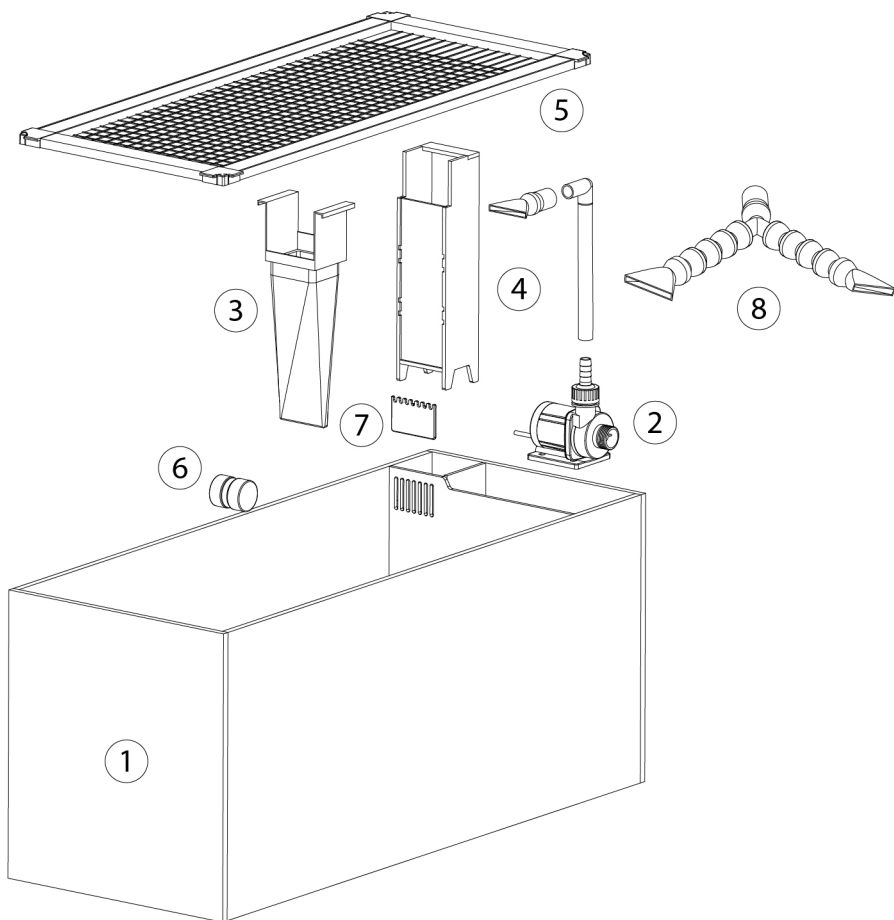




#	Description	Item Code
1	20 Gallon Aquarium	030501
2	MightyJet™ 326 GPH Return Pump	8501
3	200 Micron Water Polishing Sock (Desktop)	9003
4	CustomCaddy™ Media Basket (Desktop)	7406
5	SafeScreen™ Mesh Lid	030504
6	MicroMag™ Magnetic Glass Cleaner	8201
7	HighTide™ Water Level Riser (Desktop)	8704
8	NuvoNozzle™ Dual Return Nozzle	8400

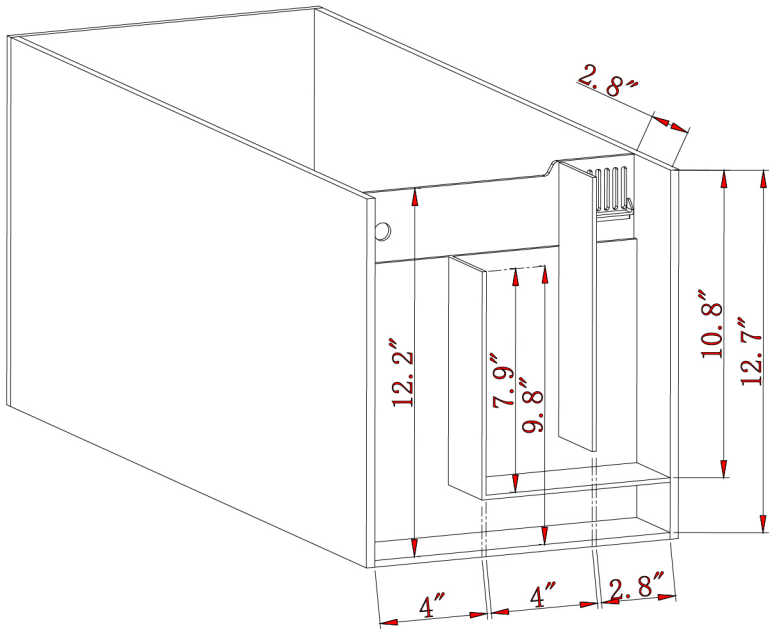
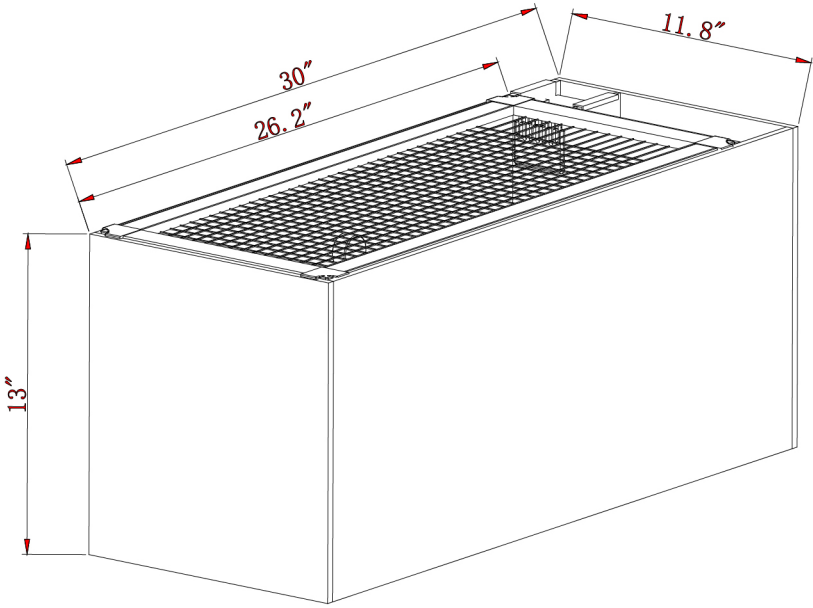


# NUVO Fusion Pro 20 Peninsula - 0307-P

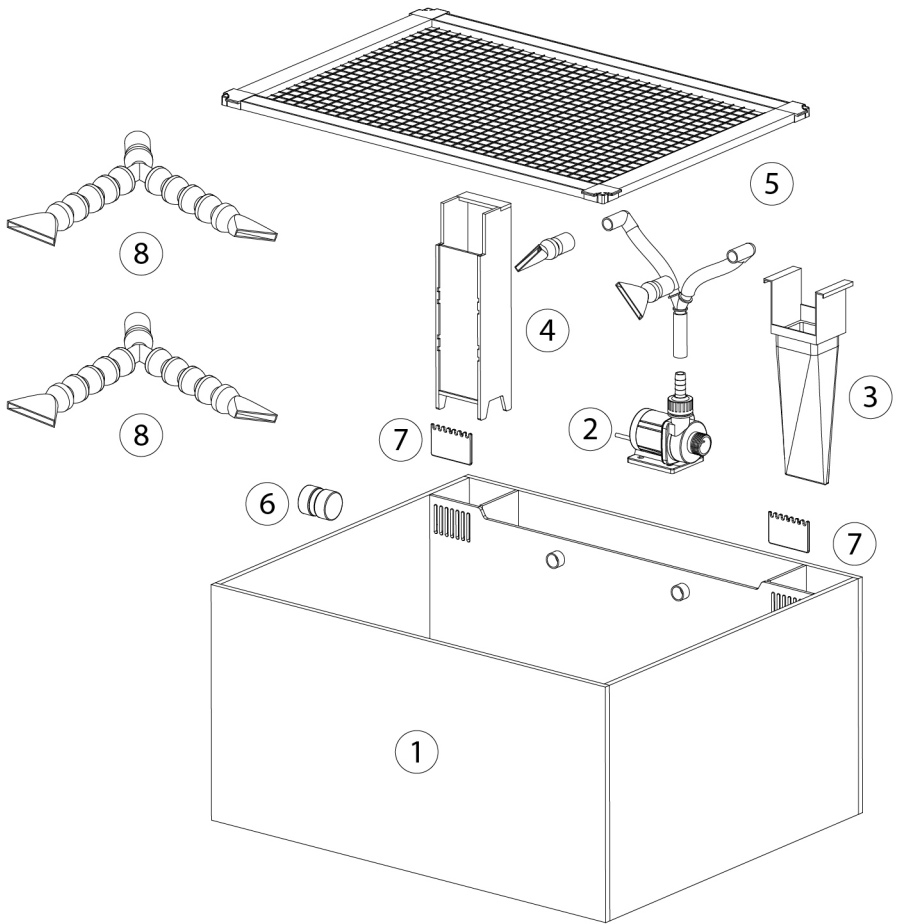


#	Description	Item Code
1	20 Gallon Peninsula Aquarium	030701
2	MightyJet™ 326 GPH Return Pump	8501
3	200 Micron Water Polishing Sock (Desktop)	9003
4	CustomCaddy™ Media Basket (Desktop)	7406
5	SafeScreen™ Mesh Lid	030704
6	MicroMag™ Magnetic Glass Cleaner	8201
7	HighTide™ Water Level Riser (Desktop)	8704
8	NuvoNozzle™ Dual Return Nozzle	8400



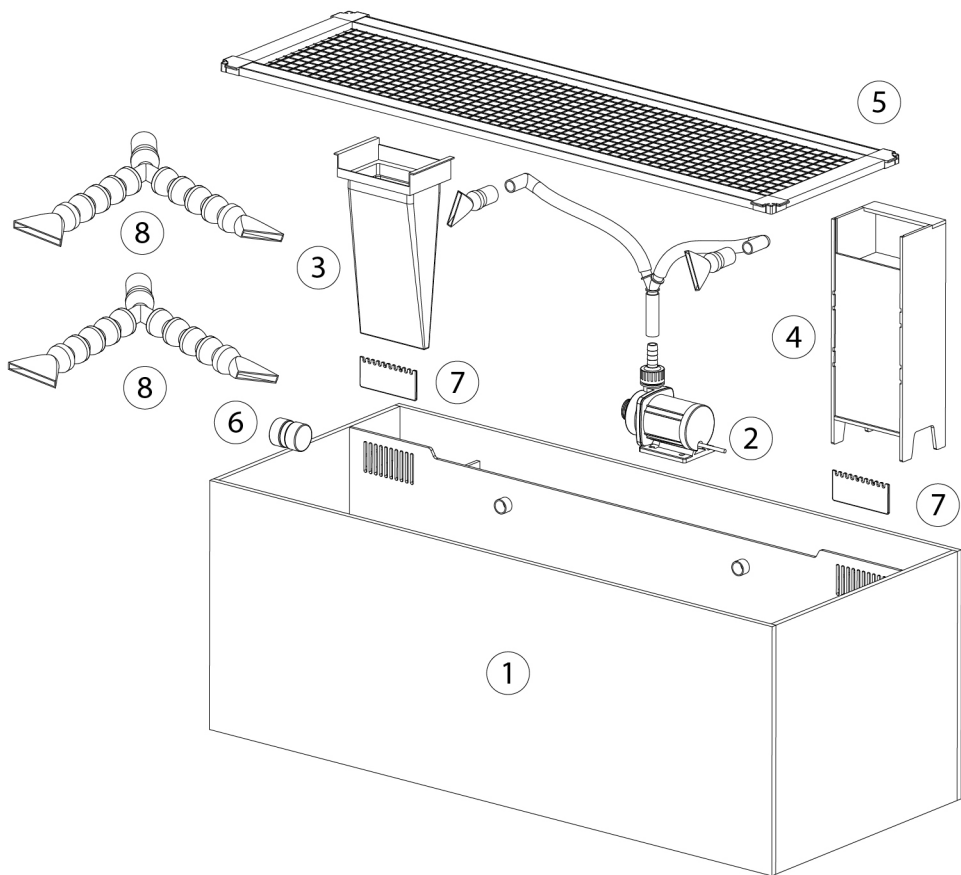


# NUVO Fusion Pro 25 Lagoon - 0507-P



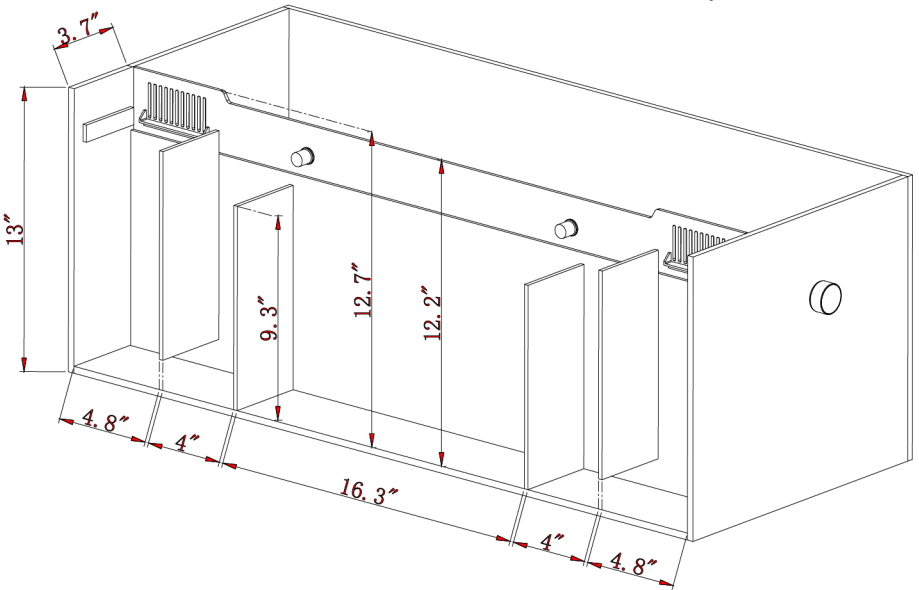
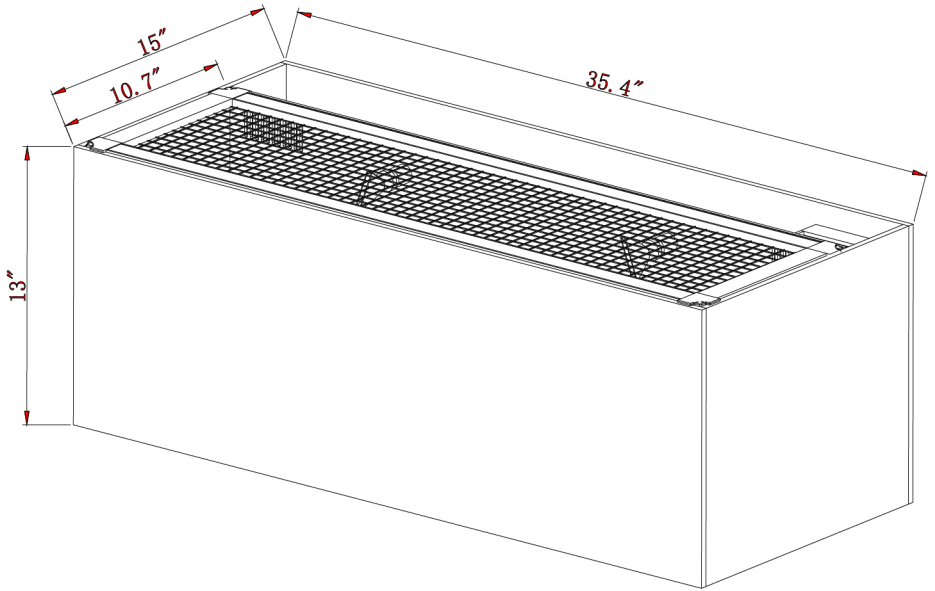
#	Description	Item Code
1	25 Gallon Aquarium	050701
2	MightyJet™ 326 GPH Return Pump	8501
3	200 Micron Water Polishing Sock (Desktop)	9003
4	CustomCaddy™ Media Basket (Desktop)	7406
5	SafeScreen™ Mesh Lid	050704
6	MicroMag™ Magnetic Glass Cleaner	8201
7	HighTide™ Water Level Riser (Desktop)	8704
8	NuvoNozzle™ Dual Return Nozzle	8400

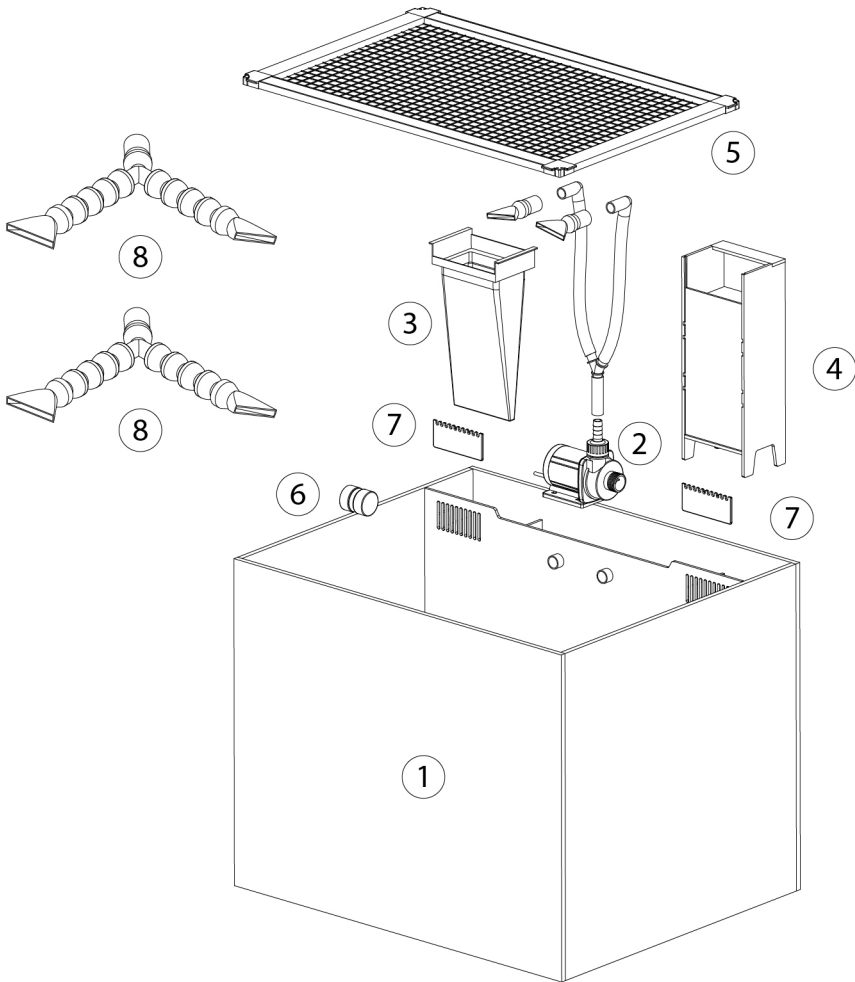




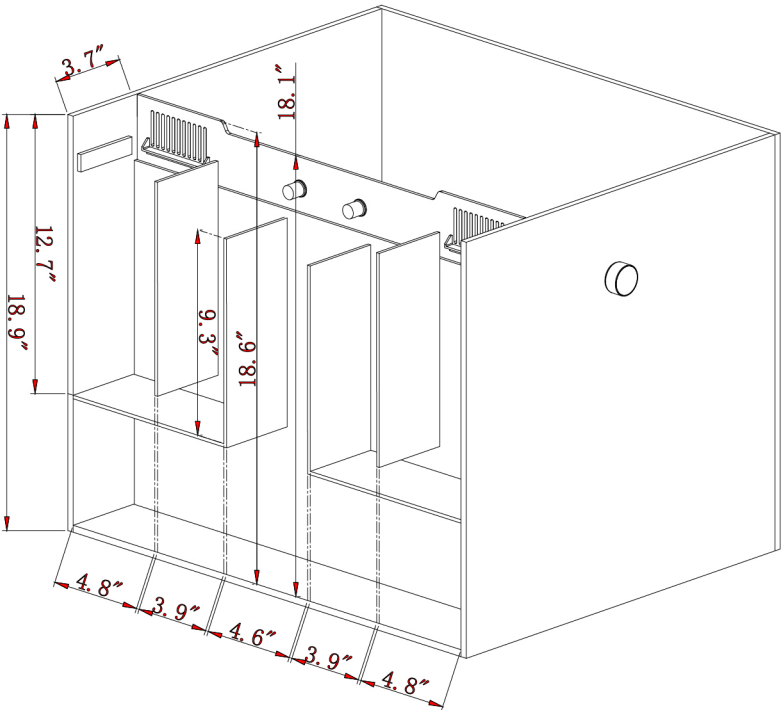
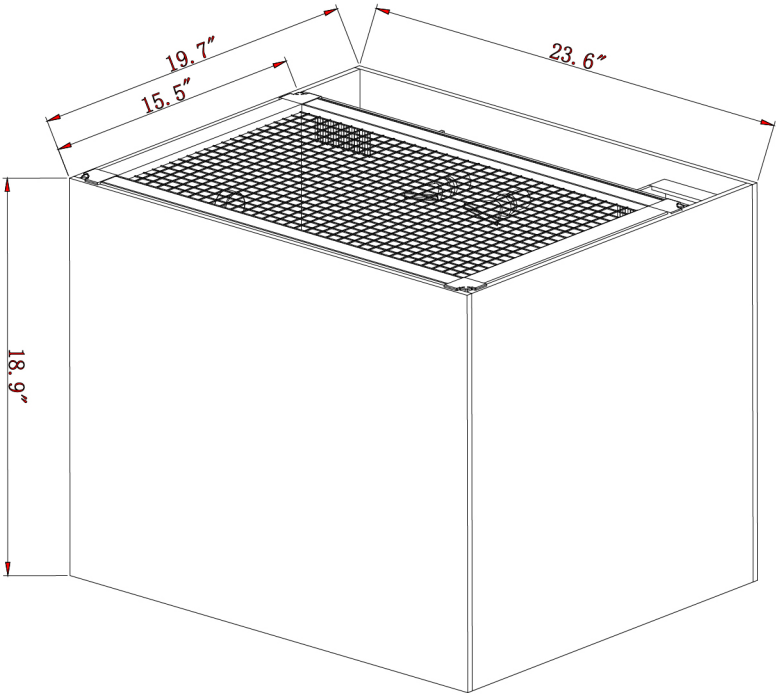
#	Description	Item Code
1	30 Gallon Aquarium	040501
2	MightyJet™ 538 GPH Return Pump	8502
3	200 Micron Water Polishing Sock (Midsized)	9004
4	CustomCaddy™ Media Basket (Midsized)	7407
5	SafeScreen™ Mesh Lid	040504
6	MicroMag™ Magnetic Glass Cleaner	8201
7	HighTide™ Water Level Riser (Midsized)	8705
8	NuvoNozzle™ Dual Return Nozzle	8400



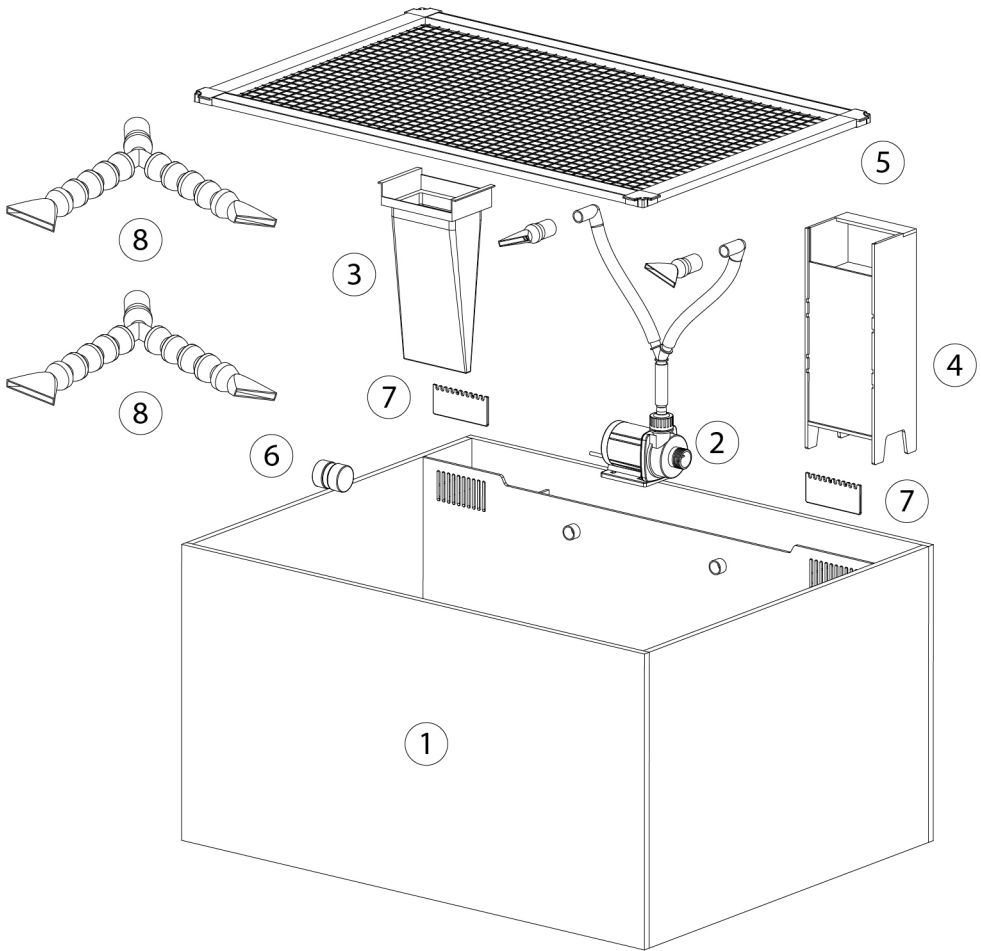




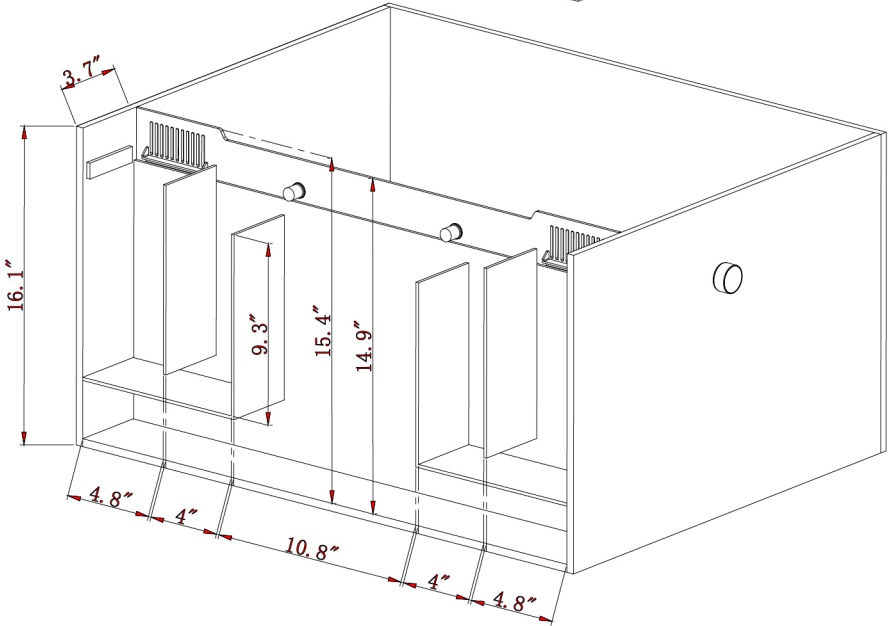
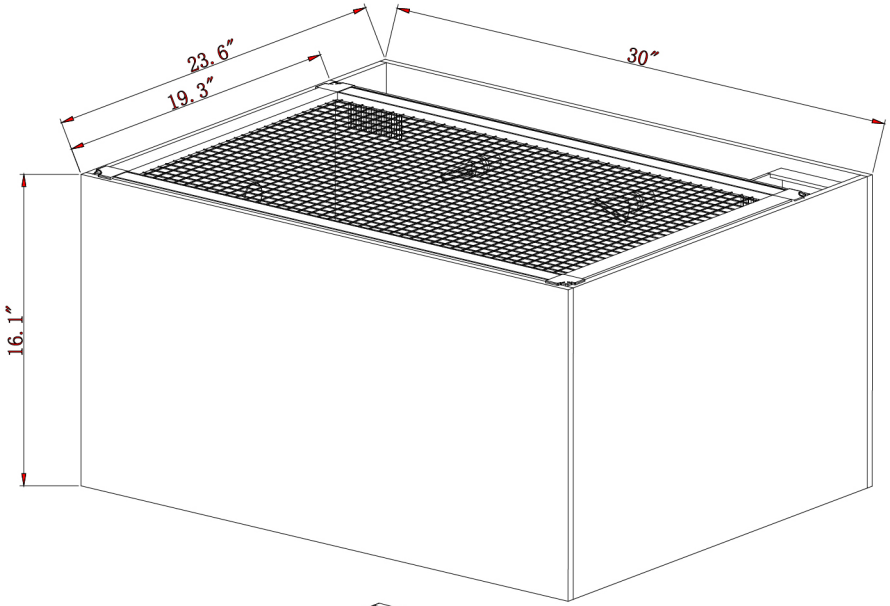
#	Description	Item Code
1	40 Gallon Aquarium	050501
2	MightyJet™ 538 GPH Return Pump	8502
3	200 Micron Water Polishing Sock (Midsized)	9004
4	CustomCaddy™ Media Basket (Midsized)	7407
5	SafeScreen™ Mesh Lid	050504
6	MicroMag™ Magnetic Glass Cleaner	8201
7	HighTide™ Water Level Riser (Midsized)	8705
8	NuvoNozzle™ Dual Return Nozzle	8400

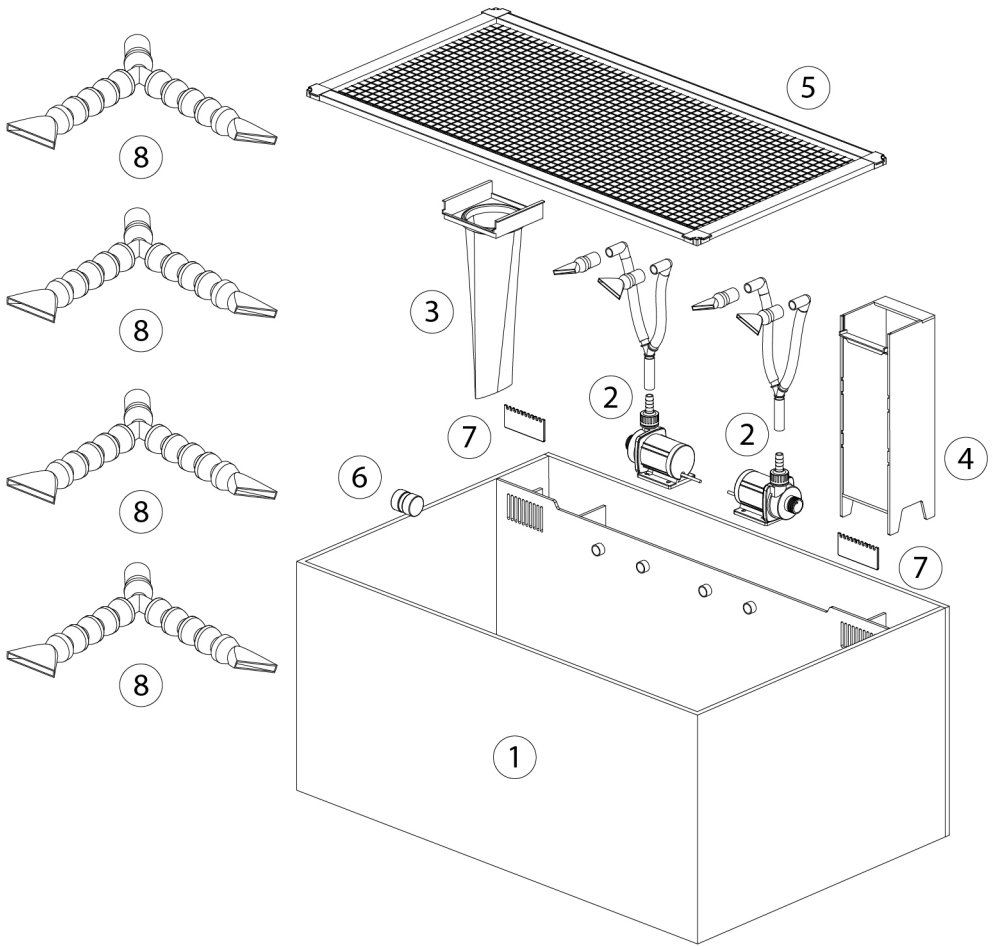


# NUVO Fusion Pro 50 Lagoon - 0605-P

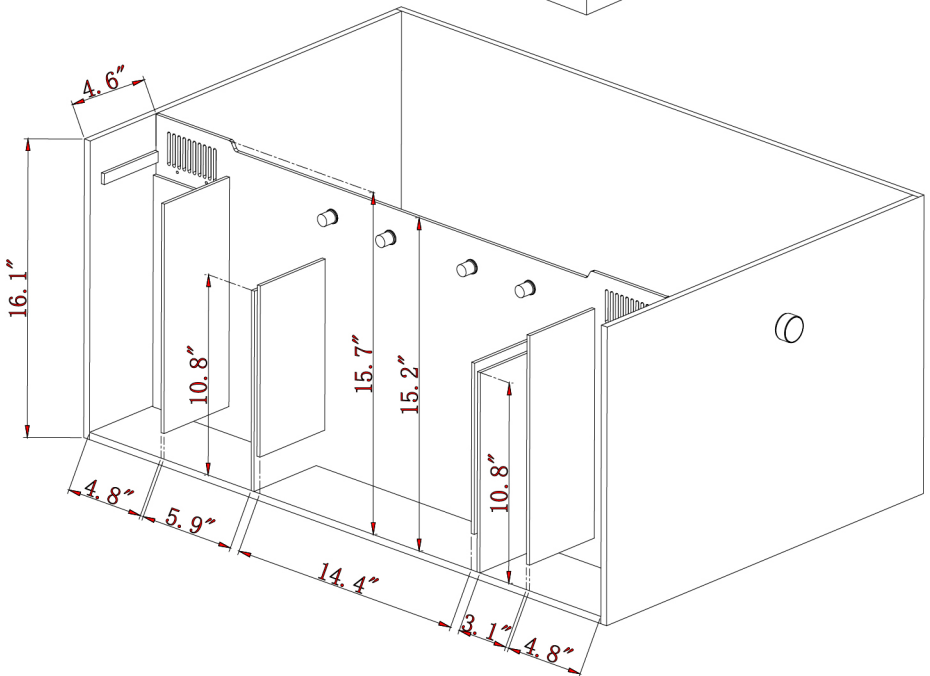
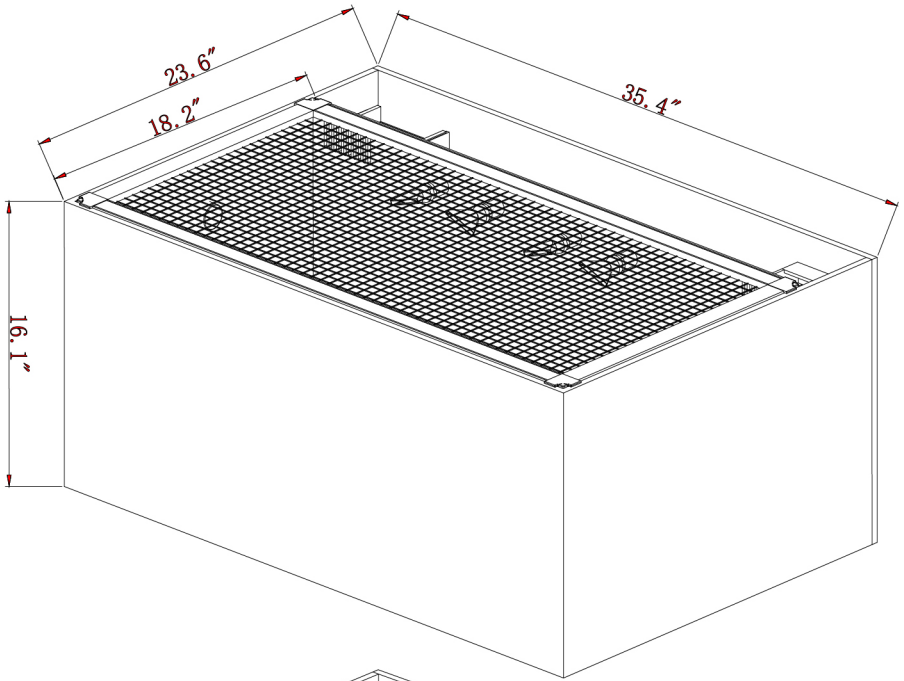


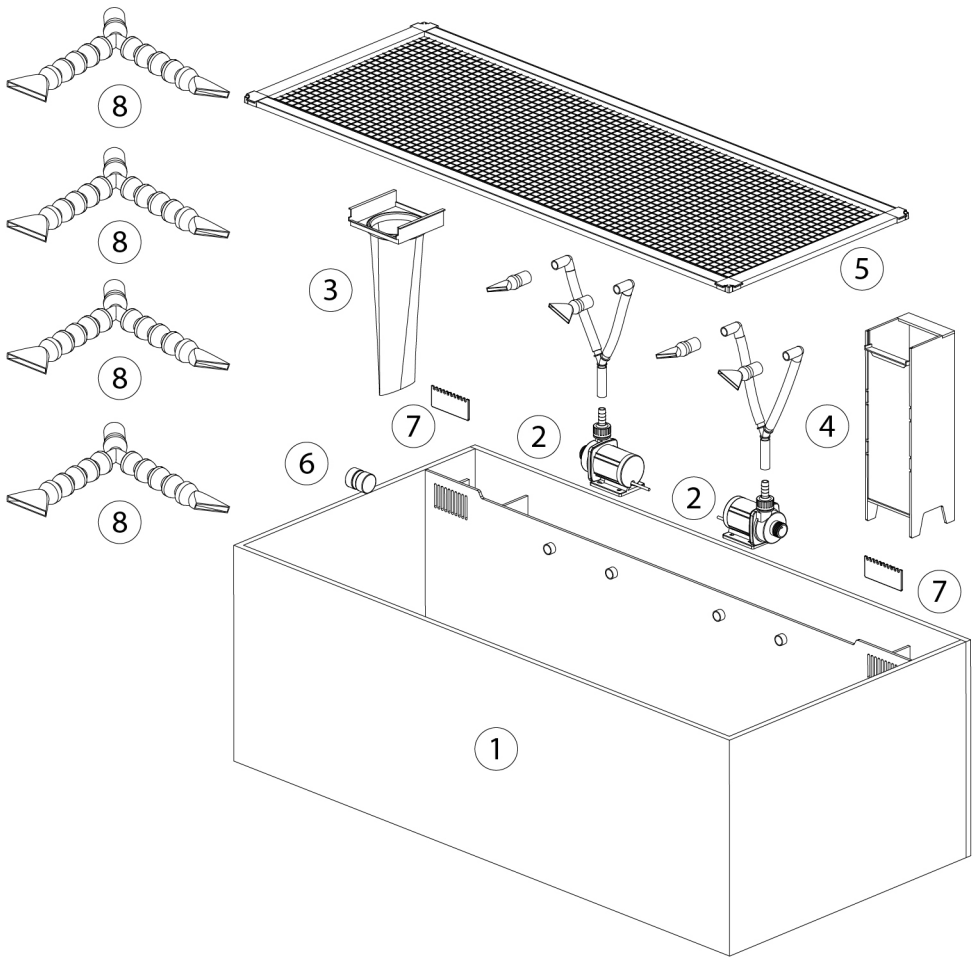
#	Description	Item Code
1	50 Gallon Aquarium	060501
2	MightyJet™ 538 GPH Return Pump	8502
3	200 Micron Water Polishing Sock (Midsized)	9004
4	CustomCaddy™ Media Basket (Midsized)	7407
5	SafeScreen™ Mesh Lid	060504
6	MicroMag™ Magnetic Glass Cleaner	8201
7	HighTide™ Water Level Riser (Midsized)	8705
8	NuvoNozzle™ Dual Return Nozzle	8400





#	Description	Item Code
1	60 Gallon Aquarium	070101
2	MightyJet™ 538 GPH Return Pump	8502
3	200 Micron Water Polishing Sock (Fullsize)	9001
4	CustomCaddy™ Media Basket (Fullsize)	7408
5	SafeScreen™ Mesh Lid	070104
6	MicroMag™ Magnetic Glass Cleaner	8201
7	HighTide™ Water Level Riser (Fullsize)	8705
8	NuvoNozzle™ Dual Return Nozzle	8400

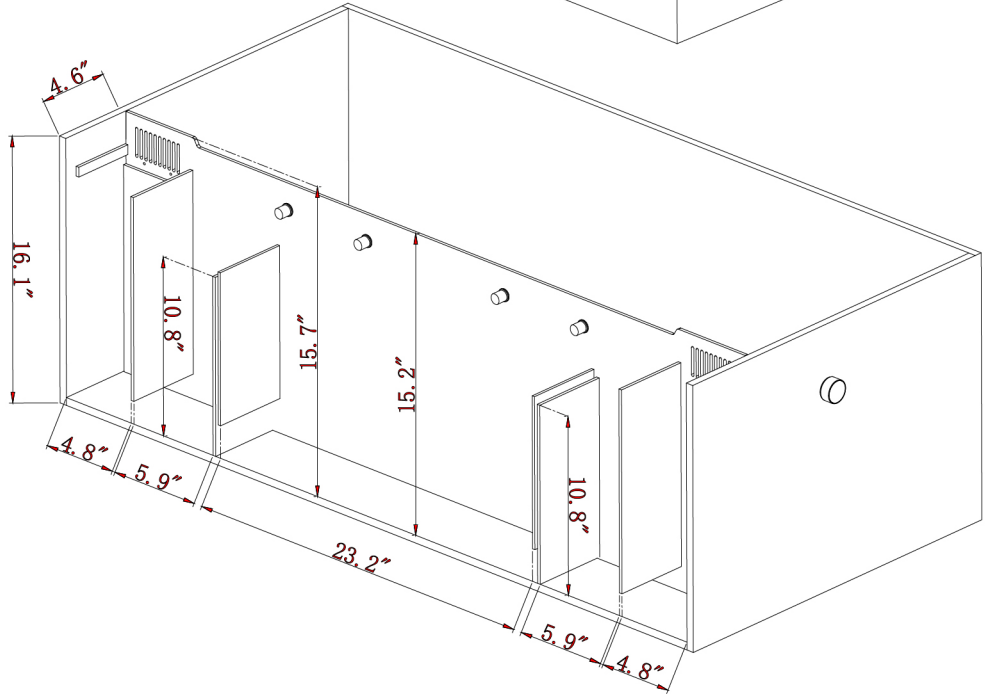
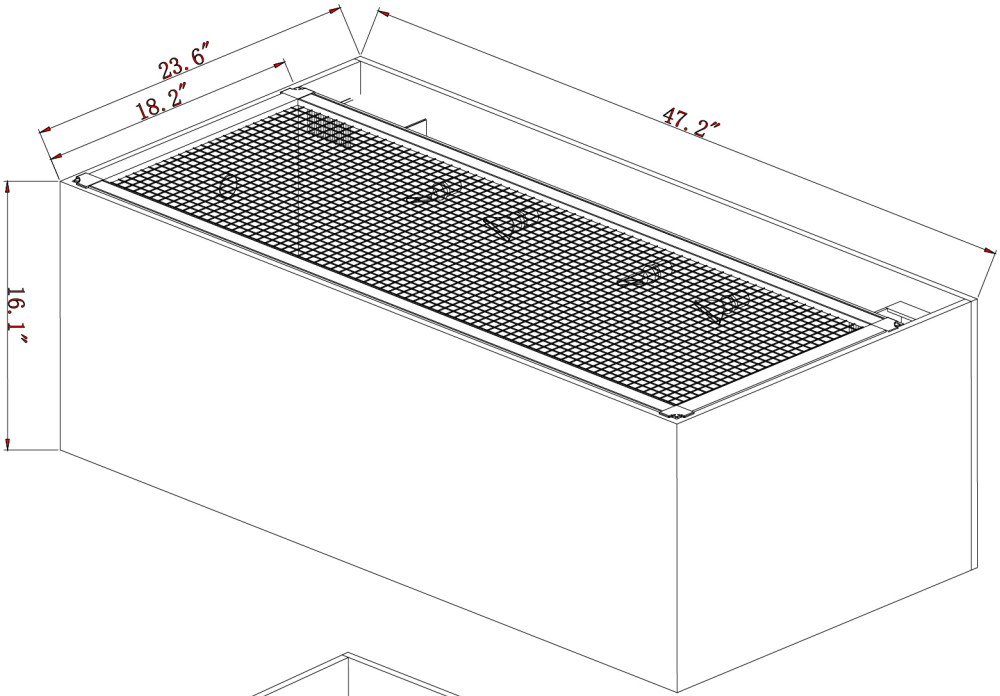


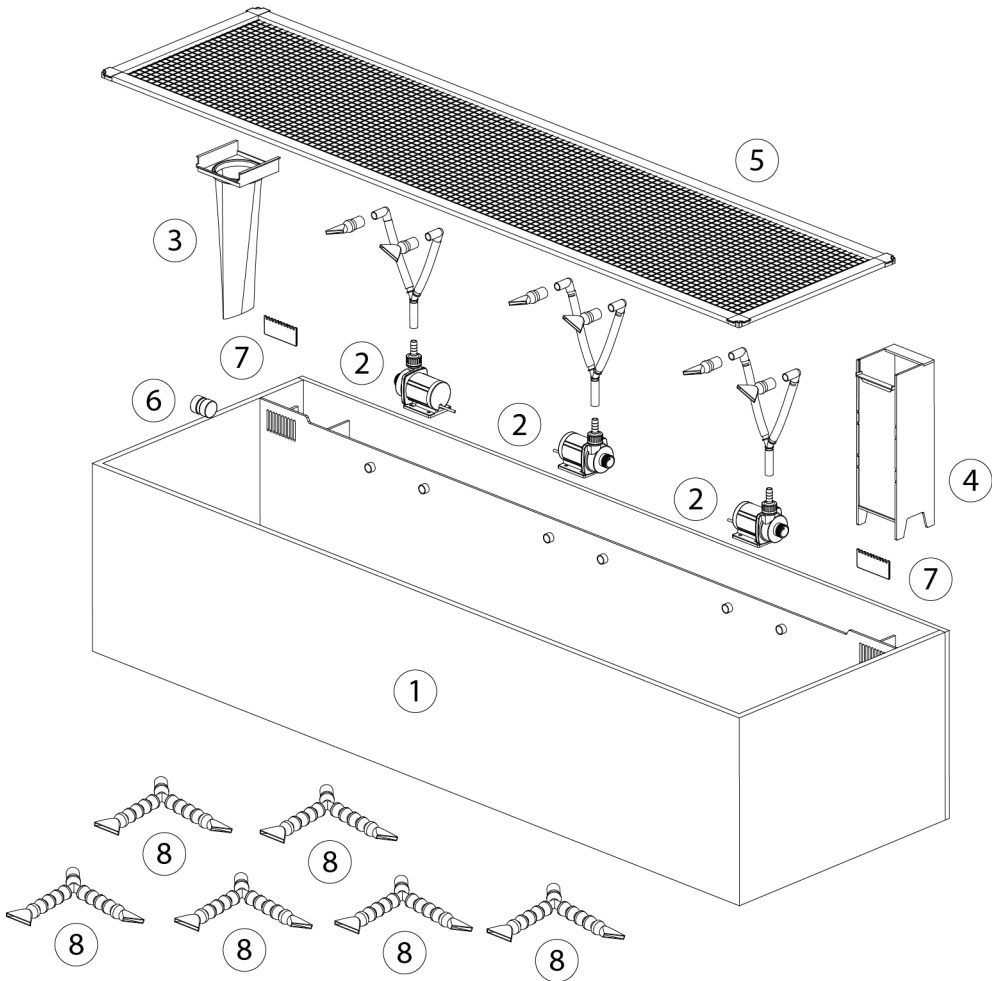


#	Description	Item Code
1	80 Gallon Aquarium	070201
2	MightyJet™ 538 GPH Return Pump	8502
3	200 Micron Water Polishing Sock (Fullsize)	9001
4	CustomCaddy™ Media Basket (Fullsize)	7408
5	SafeScreen™ Mesh Lid	070204
6	MicroMag™ Magnetic Glass Cleaner	8201
7	HighTide™ Water Level Riser (Fullsize)	8705
8	NuvoNozzle™ Dual Return Nozzle	8400



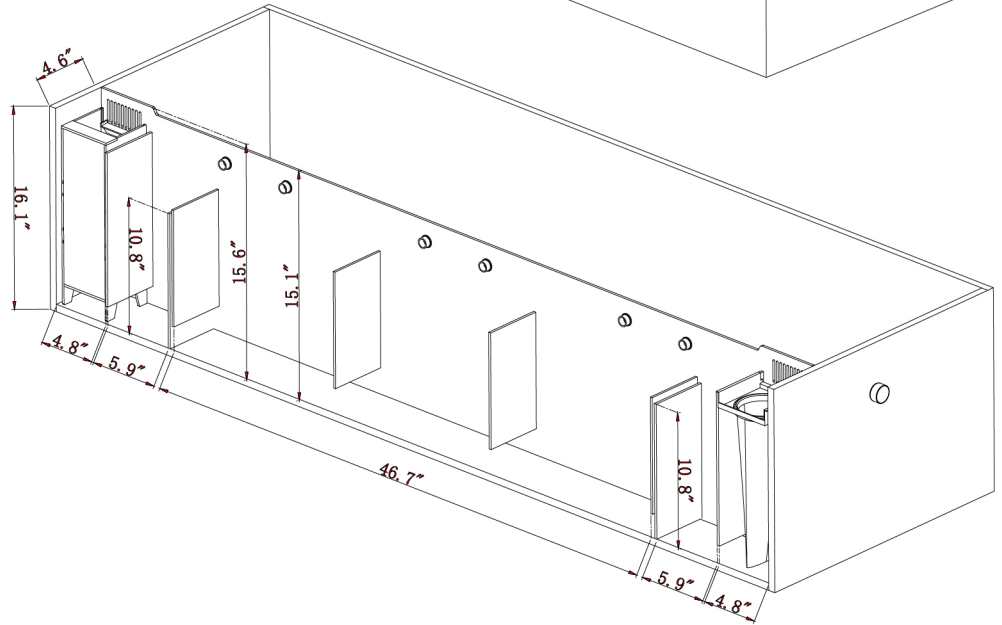
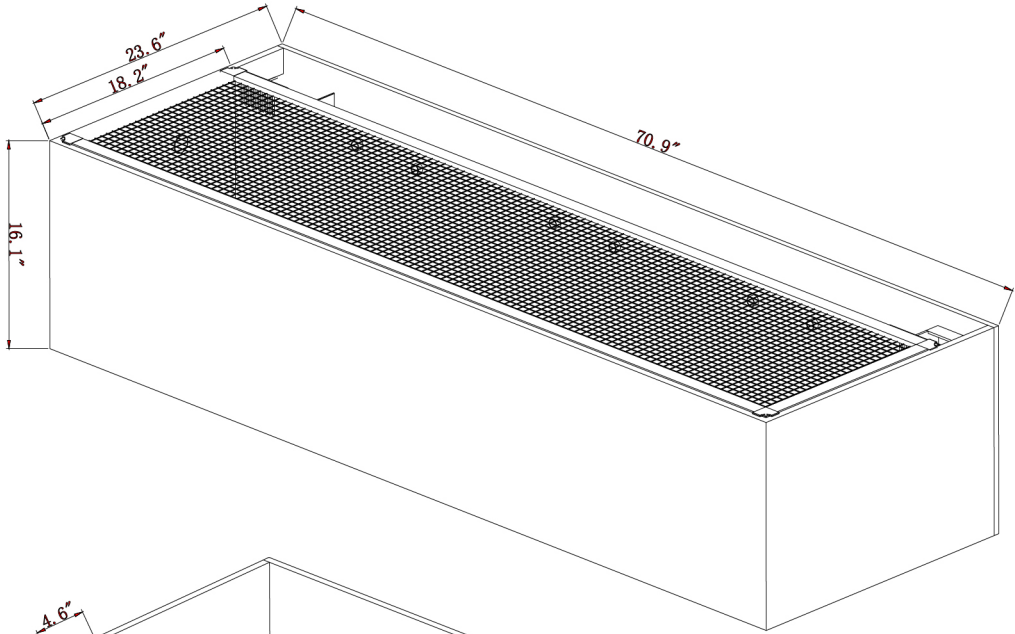
# NUVO SR Pro 80 - 0702-P



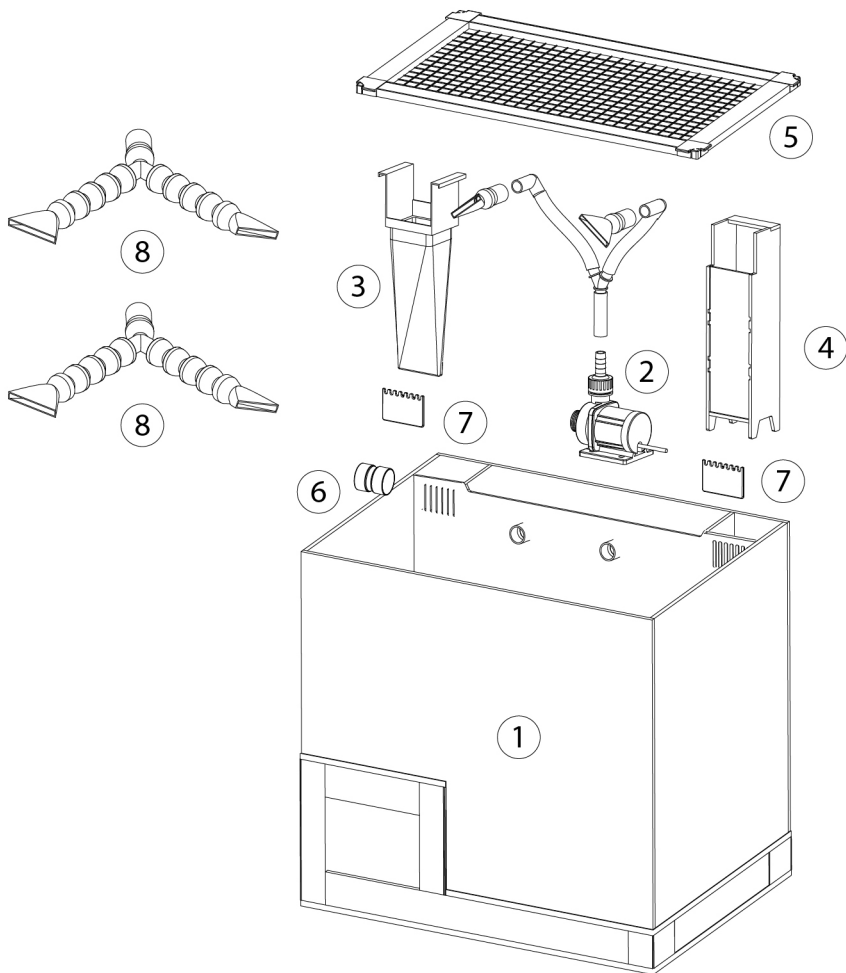


#	Description	Item Code
1	120 Gallon Aquarium	070301
2	MightyJet™ 538 GPH Return Pump	8502
3	200 Micron Water Polishing Sock (Fullsize)	9001
4	CustomCaddy™ Media Basket (Fullsize)	7408
5	SafeScreen™ Mesh Lid	070304
6	MicroMag™ Magnetic Glass Cleaner	8201
7	HighTide™ Water Level Riser (Fullsize)	8705
8	NuvoNozzle™ Dual Return Nozzle	8400

# NUVO SR Pro 120 - 0703-P

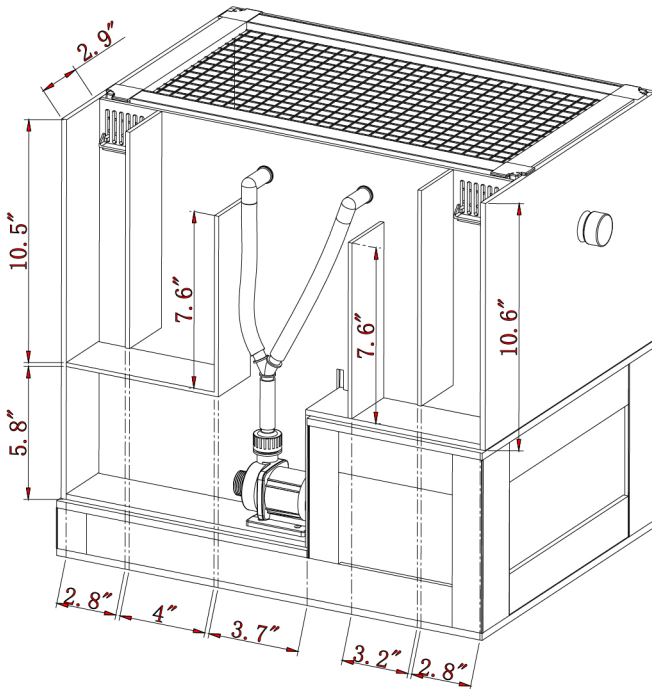
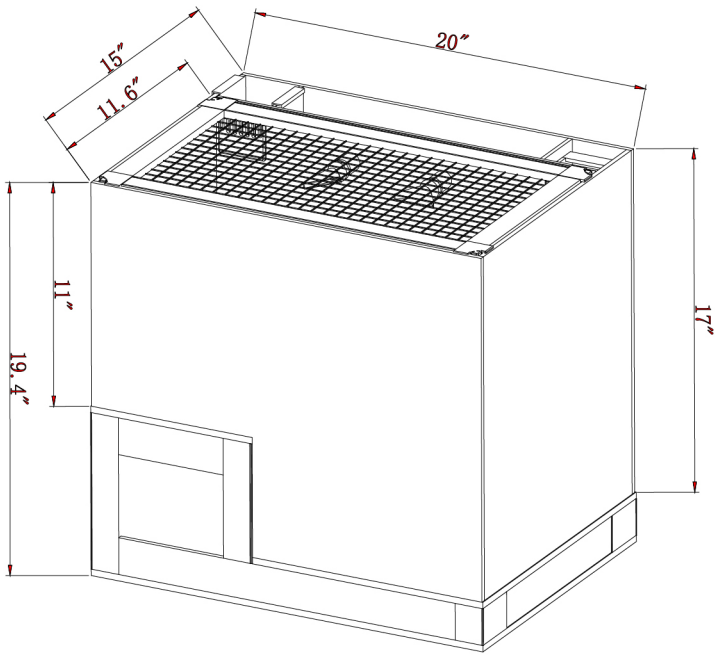


# NUVO Concept Pro 20 Panorama - 0905-P

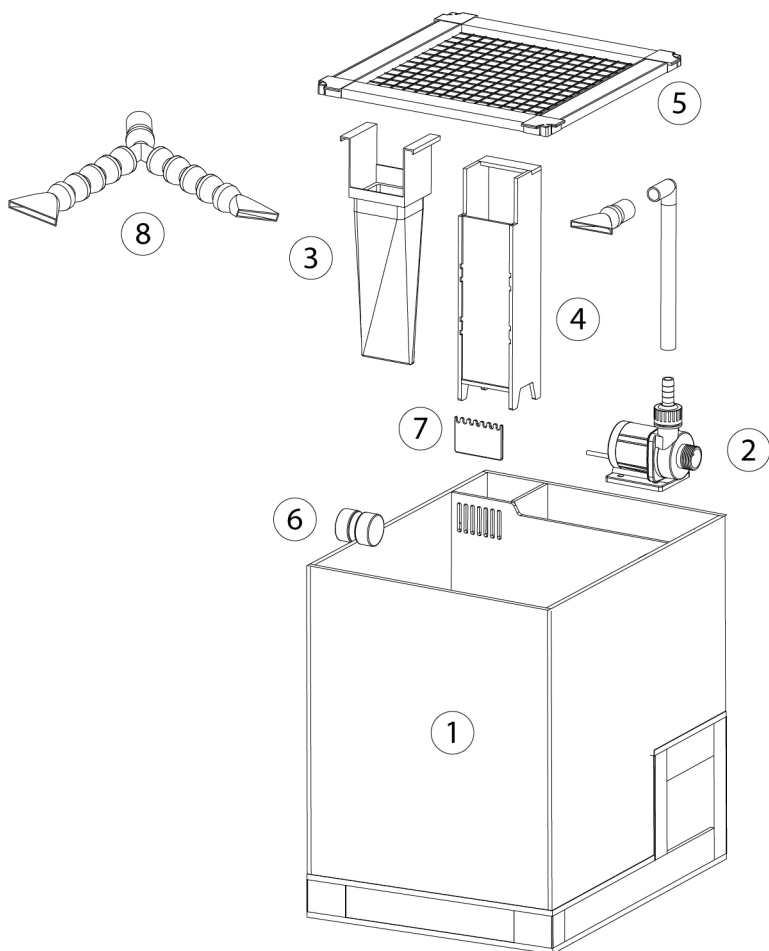


#	Description	Item Code
1	20 Gallon Aquarium	090501
2	MightyJet™ 326 GPH Return Pump	8501
3	200 Micron Water Polishing Sock (Desktop)	9003
4	CustomCaddy™ Media Basket (Desktop)	7406
5	SafeScreen™ Mesh Lid	090504
6	MicroMag™ Magnetic Glass Cleaner	8201
7	HighTide™ Water Level Riser (Desktop)	8704
8	NuvoNozzle™ Dual Return Nozzle	8400

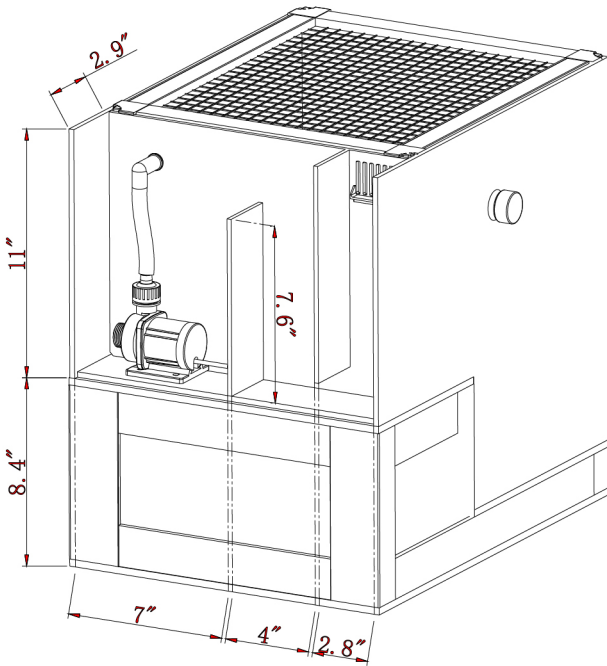
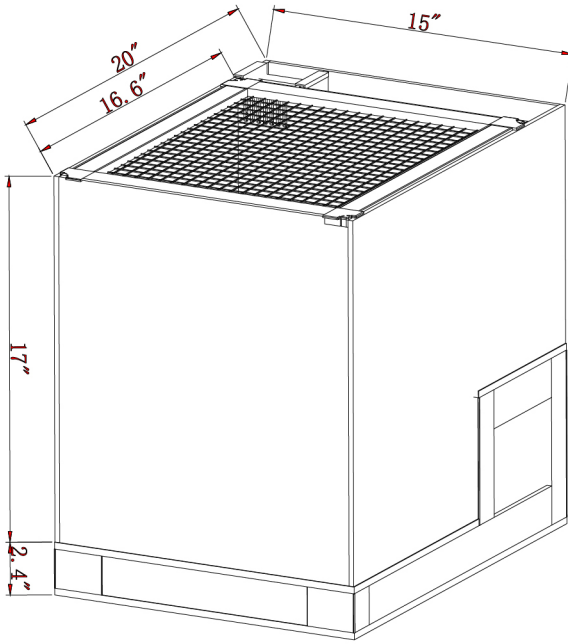
# NUVO Concept Pro 20 Panorama - 0905-P



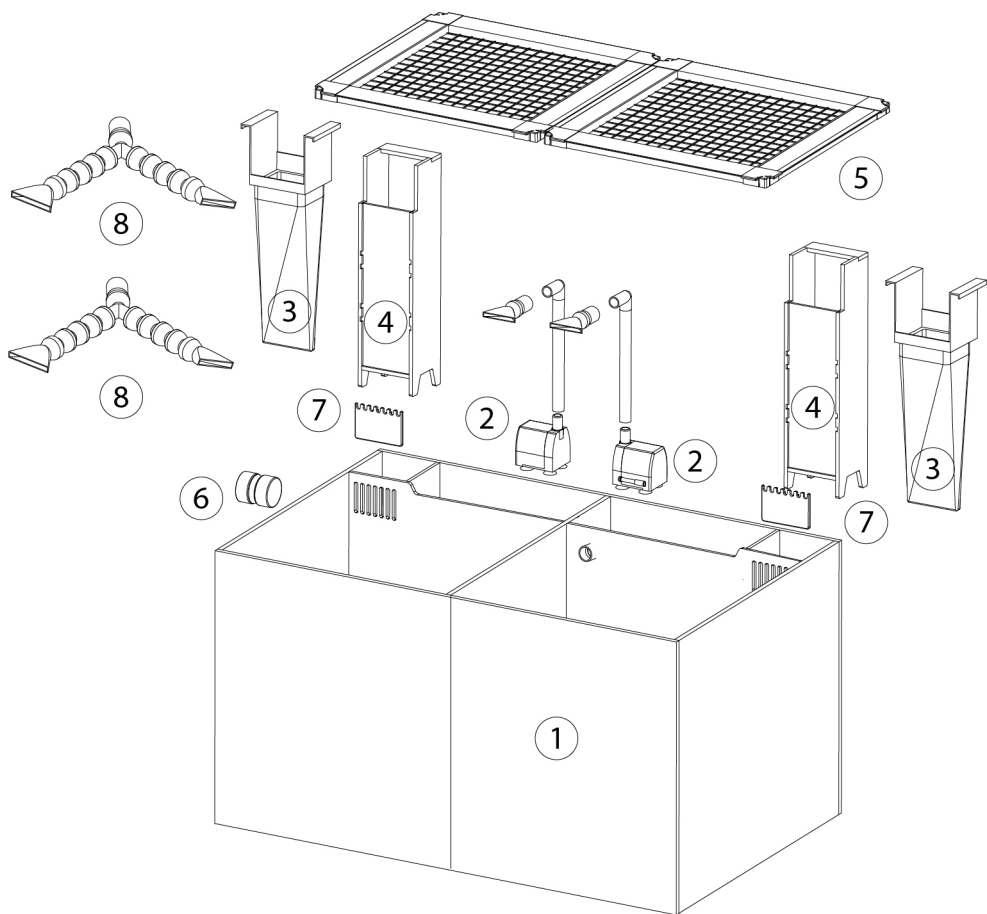
# NUVO Concept Pro 20 Peninsula - 0906-P



#	Description	Item Code
1	20 Gallon Aquarium	090601
2	MightyJet™ 326 GPH Return Pump	8501
3	200 Micron Water Polishing Sock (Desktop)	9003
4	CustomCaddy™ Media Basket (Desktop)	7406
5	SafeScreen™ Mesh Lid	090604
6	MicroMag™ Magnetic Glass Cleaner	8201
7	HighTide™ Water Level Riser (Desktop)	8704
8	NuvoNozzle™ Dual Return Nozzle	8400

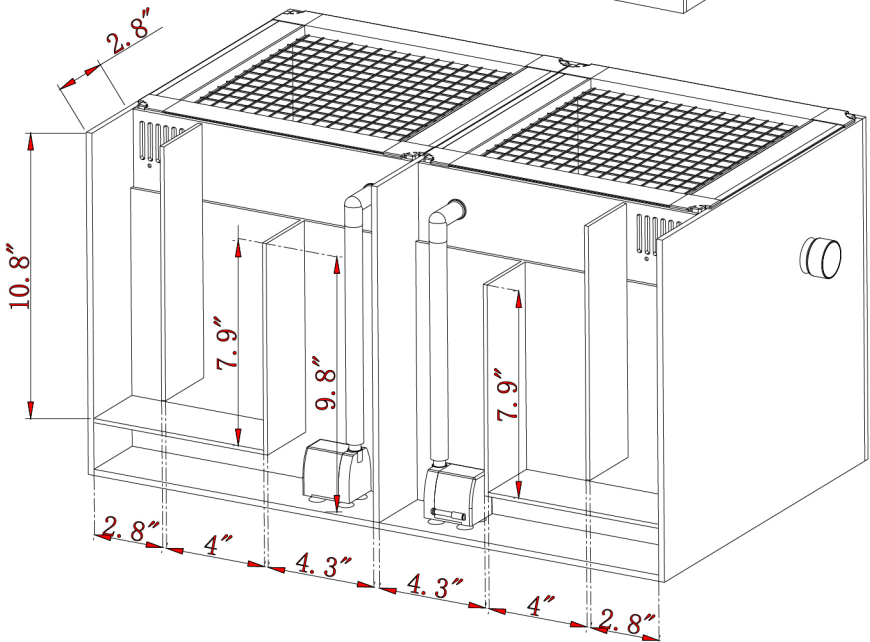
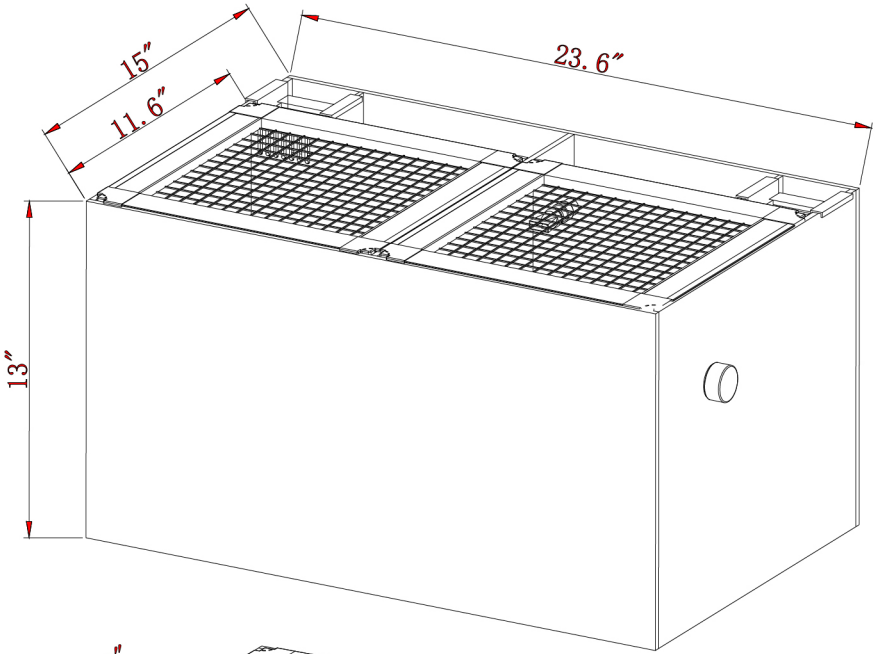


# NUVO Concept Pro 20 Encore - 0907-P



#	Description	Item Code
1	20 Gallon Aquarium	090701
2	98 GPH DC Return Pump	090702
3	200 Micron Water Polishing Sock (Desktop)	9003
4	CustomCaddy™ Media Basket (Desktop)	7406
5	SafeScreen™ Mesh Lid	020504
6	MicroMag™ Magnetic Glass Cleaner	8201
7	HighTide™ Water Level Riser (Desktop)	8704
8	NuvoNozzle™ Dual Return Nozzle	8400





## Ultra-Thick Low Iron Glass

### Maximum Clarity

Up to 15mm Ultra-Thick Glass

### Jewel Like Finish

Beveled and Flame Polished

# Water Level Riser with Built-In Emergency Overflow

## Emergency Overflow

Bypasses overflow due to blockage

## Raise and Lower Water Line

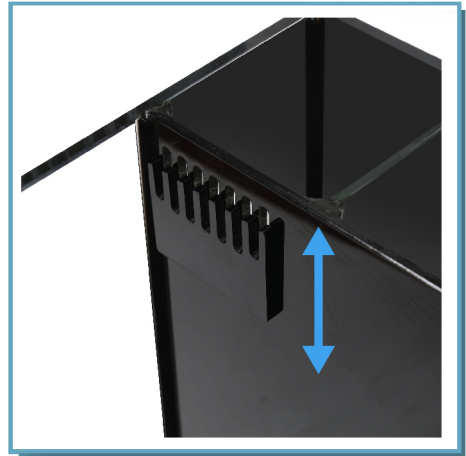
HighTide Water Level Riser



To install the HighTide push the 2 male plugs into the teeth of the overflow.



You can raise and lower your display's water line by moving the riser up & down.



Do not block overflow teeth completely. This may cause water blockage.



## Water Polishing Sock

### Improves Water Quality

200 micron felt filters out the smallest impurities, allowing only clean water to pass through.

### Traps & Removes Uneaten Food

Reduces algae blooms by removing nutrients in water.

### Quick & Easy Maintenance

Pre-molded hangers makes swapping out socks quick & easy.





## Customizable Filtration

### Holds Your Favorite Media

Choose between your favorite filter pads, carbon or ion resins.

### Quick & Easy Maintenance

Pull out design and sliding quick access door makes maintenance a breeze.

### Converts Into a Living Refugium

Remove the adjustable shelves and add your favorite macro algae



## Premium Filtration Media

### Removes Odors In Water

ROX 0.8 carbon pouch



### Prevents Algae Outbreaks

High capacity GFO Pouch



### Collects Floating Detritus

High performing fiberballs



## Controllable DC Return Pump



**CONTROL  
FLOW**

MightyJet Pump



Ultra Quiet

**FEED MODE**

One Touch 10 min Feed Button

**\*Excludes model 0907-P**





PRESS: the ▲ or ▼ button to increase or decrease the flow rate of the MightyJet Pump.

## Changing Modes:

PRESS AND HOLD: the 🐟 button to toggle between STREAM Mode and SINE WAVE Mode.

When the controller's display that reads a "1" You are in STREAM Mode.



When the controller's display that reads a "2" You are in SINE WAVE Mode.

## How to Use the MightyJet™ & Controller



The Stream Mode is a calm, uninterrupted constant movement of water at a single speed



Each Mode has 9 speed settings that can be controlled using the buttons.  



1.1 Being the minimum and 1.9 being maximum speed.

After the speed has been set, a different number will show. This number is how much wattage is currently being used. Example: 30 = 30 Watts.




The Sine Wave Mode is a smooth repetitive oscillation that moves water in a continuous wave motion.



Each Mode has 9 speed settings that can be controlled using the buttons.  

2.1 Being the minimum and 2.9 being maximum speed.


## FEED MODE

PRESS: the  button to activate feed mode. The display will read 'FE' and the pump will shut off and will automatically resume after 10 minutes.




You can override the 10 minute timer by pressing the 'FEED' button again and your pump will resume.

## LOCKING YOUR SETTINGS

PRESS AND HOLD: the  button to activate the "LOCK" function. The display will read "LC" and all buttons will be disabled.



## UNLOCKING YOUR SETTINGS

PRESS AND HOLD: the  button to deactivate the "LOCK" function. The display will no longer read "LC" and all buttons will be enabled.



## Error Codes

E1	Over Voltage Protection - Input Voltage Over 30V
E2	Under Voltage Protection - Input Voltage Under 12V
E3	Over Current Protection - Input Current Over 2.5amp
E4	Dry Run Protection - Pump Out of Water
E5	Impeller Seized - Impeller Not Spinning
E6	Controller Board - Chipboard on Controller Overheated

## Single & Dual Nozzles

### Control Your Flow

Freedom to direct water flow throughout your system.

### Choose Your Style

Both the single and dual flare nozzles come standard. Choose what is best for your tank and install in seconds.

To install the dual NuvoNozzle remove the single flare nozzle by pulling it out from coupling.



Push in the dual NuvoNozzle into the coupling.





## Mesh Screen Lid

### Keeps Livestock from Leaving Your Tank

Extra thick and lightweight the SafeScreen fully encases your display preventing "jumpers" from leaving your tank.

### Will Not Affect Light Penetration

1/4" clear mesh allows light to pass through.



## Self-Leveling Aquarium Mat



**Keeps Furniture  
and Your Tank Safe**

Made from ultra-thick  
high quality rubber foam.

**Durable Against  
Water and Salt  
Creep**



## Magnetic Glass Cleaner

**Removes Algae  
Quickly & Safely**

Molded Acrylic Casing

**Gets In  
Hard to Reach Spots**

1.37" Diameter x 0.65" Thick

**Strong, Rare Earth  
Neodymium Magnets**

For Glass up to 12mm Thick



