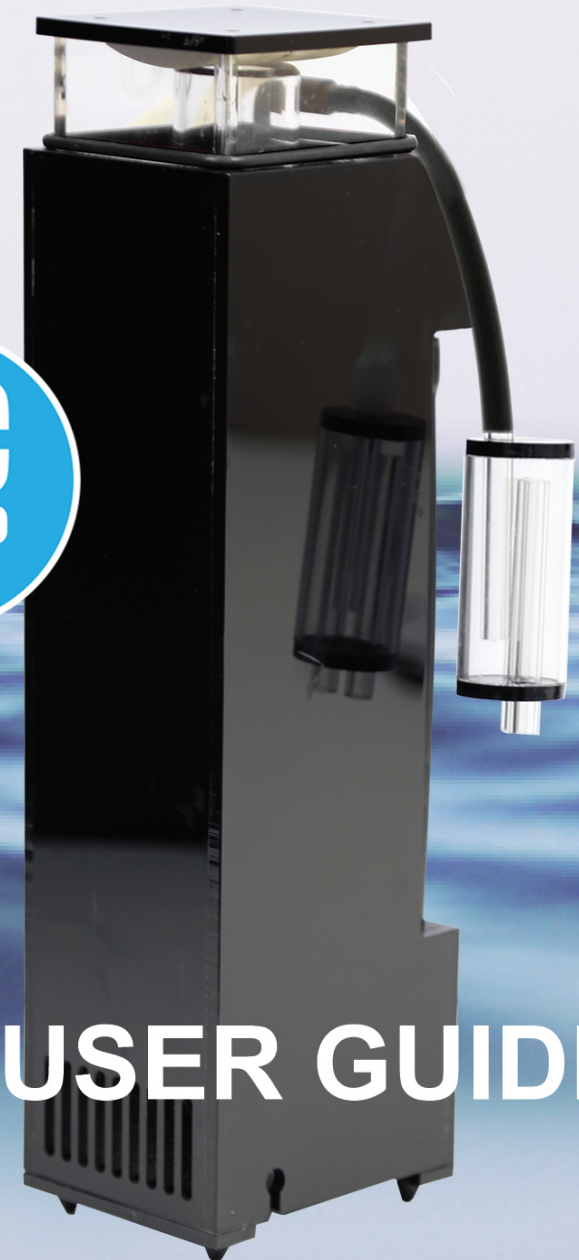
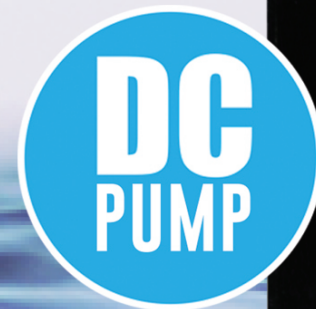


AUQA Gadget™

# NUVOSKIM®



INNOVATIVE

IM

MARINE

## USER GUIDE

## READ ALL SAFETY INSTRUCTIONS BEFORE USE.

**to avoid electric shock, special care should be taken since water is employed in the use of aquarium equipment. For each of the following situations, do not attempt to repair yourself. Return the appliance to an authorized service facility for service or discard the appliance.**

**carefully examine the appliance after installation. It should not be plugged in where there is water on parts not intended to be wet.**

**do not operate any appliance if it has a damaged cord or plug, or if it is malfunctioning or if it is dropped or damaged in any manner.**

**to avoid the possibility of the appliance plug or receptacle getting wet, position the aquarium to one side of a wall mounted receptacle to prevent water from dripping onto the receptacle plug. A "Drip Loop" should be arranged by the user for EACH cord connecting an aquarium appliance to a receptacle. The "Drip Loop" is that part of the cord below the level of the receptacle or the connector if an extension cord is used. This "Drip Loop" prevents water from travelling along the cord and coming in contact with the receptacle. If the plug or the receptacle do get wet DO NOT unplug the cord. Disconnect the fuse or the circuit breaker that supplies power to the appliance. Then unplug and examine for the presence of water in the receptacle.**

**adult supervision is necessary when any appliance is used by or near children.**

**always unplug an appliance from the outlet when not in use, before putting on or taking off parts, and before cleaning. Never yank the cord to pull the plug from the outlet. Grasp the plug and pull to disconnect.**

**do not use an appliance for other than intended use. The use of attachments not recommended or sold by the appliance manufacturer may cause an unsafe condition.**

**do not install or store the appliance where it will be exposed to the weather or to temperatures below freezing.**

**make sure an appliance mounted on a tank is securely installed before operating it.**

**read and observe all the important notices on the appliance.**

**since this appliance has a polarized plug (one blade is wider than the other), as a safety feature, this plug will fit in a polarized outlet only one way. If the plug does not fit fully in the outlet, reverse the plug. If it still does not fit, contact a qualified electrician. Never use with an extension cord unless the plug can be fully inserted. Do not attempt to defeat this safety feature.**

**if an extension cord is necessary, a cord with a proper rating should be used.**

Please inspect your new NuvoSkim Protein Skimmer for damages and to confirm all parts are included before installation.

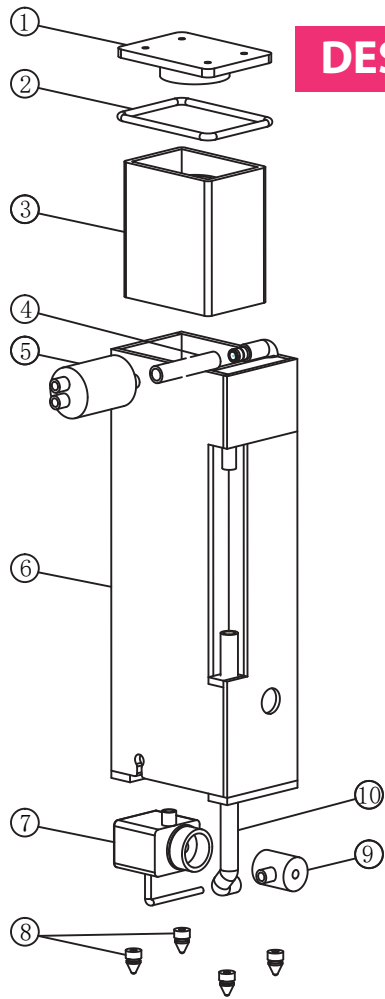
Your NuvoSkim includes:

1. Skimmer Cup w/ Lid, O-Ring
2. Skimmer Body
3. Venturi Air Line
4. External Air Silencer
5. Skimmer DC Pump

Immediately report if there is any damage or missing parts to:

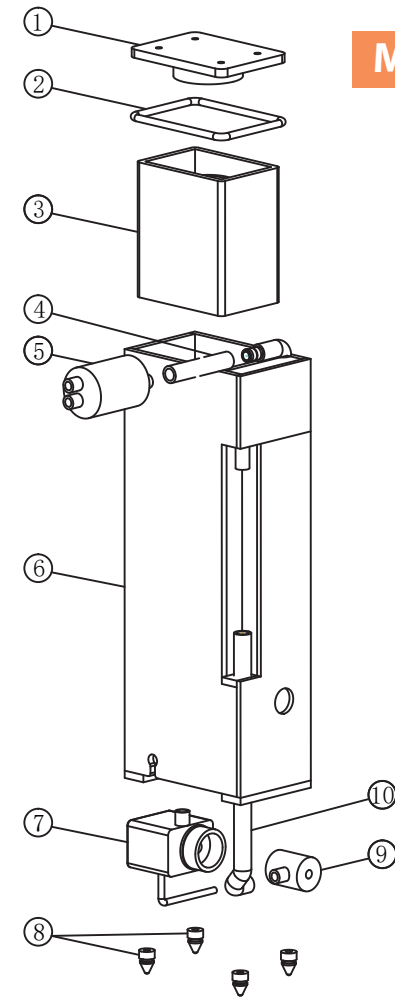
[warranty@innovative-marine.com](mailto:warranty@innovative-marine.com)

# PARTS LIST



**DESKTOP - 7206**

①	NuvoSkim Lid	720601
②	NuvoSkim Black Oring	720602
③	NuvoSkim Collection Cup	720603
④	NuvoSkim Silencer Tube	720604
⑤	NuvoSkim External Silencer	720605
⑥	NuvoSkim Body	720606
⑦	NuvoSkim DC Pump	720607
⑧	NuvoSkim Rubber Feet	720608
⑨	NuvoSkim Venturi Intake	720609
⑩	NuvoSkim Venturi Tube	720610

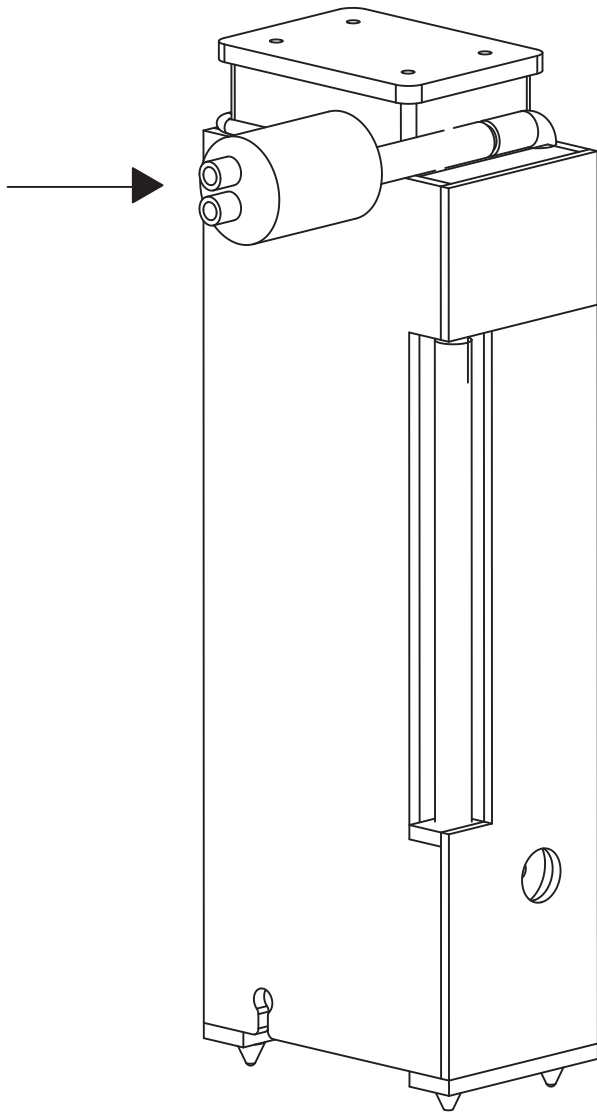


**MIDSIZE - 7207**

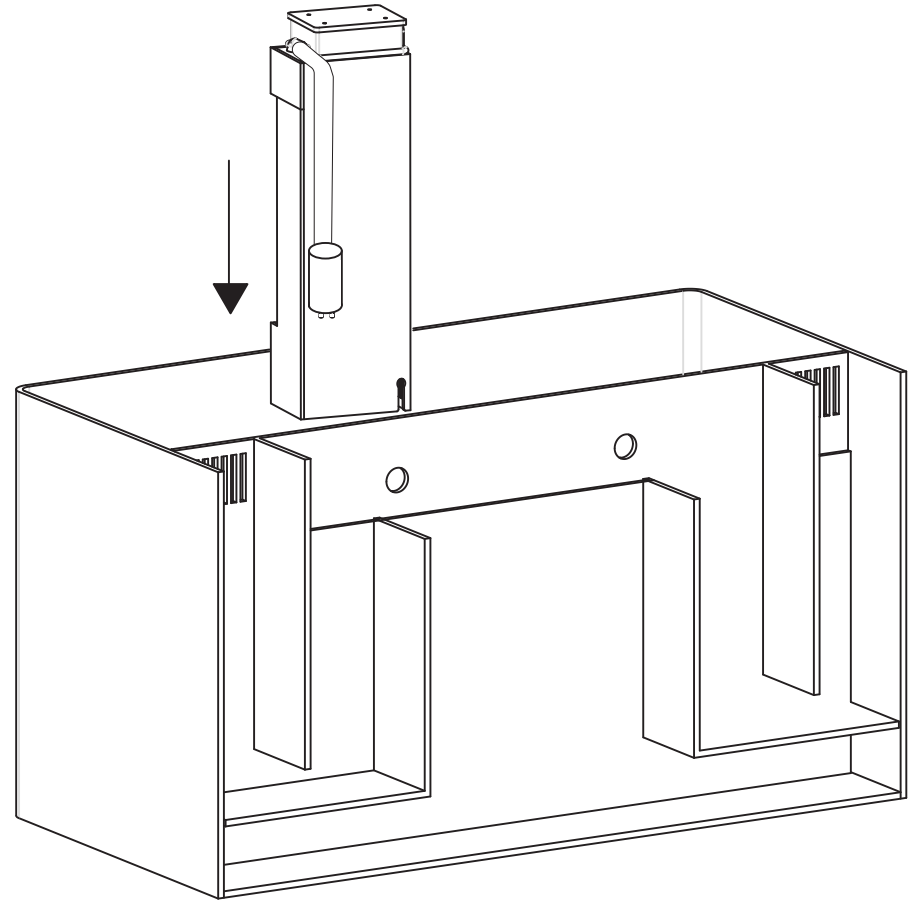
①	NuvoSkim Lid	720701
②	NuvoSkim Black Oring	720602
③	NuvoSkim Collection Cup	720703
④	NuvoSkim Silencer Tube	720604
⑤	NuvoSkim External Silencer	720605
⑥	NuvoSkim Body	720706
⑦	NuvoSkim DC Pump	720607
⑧	NuvoSkim Rubber Feet	720608
⑨	NuvoSkim Venturi Intake	720609
⑩	NuvoSkim Venturi Tube	720710

# HOW TO USE / INSTALL

Attach the **EXTERNAL SILENCER & SILENCER TUBE** to the air intake

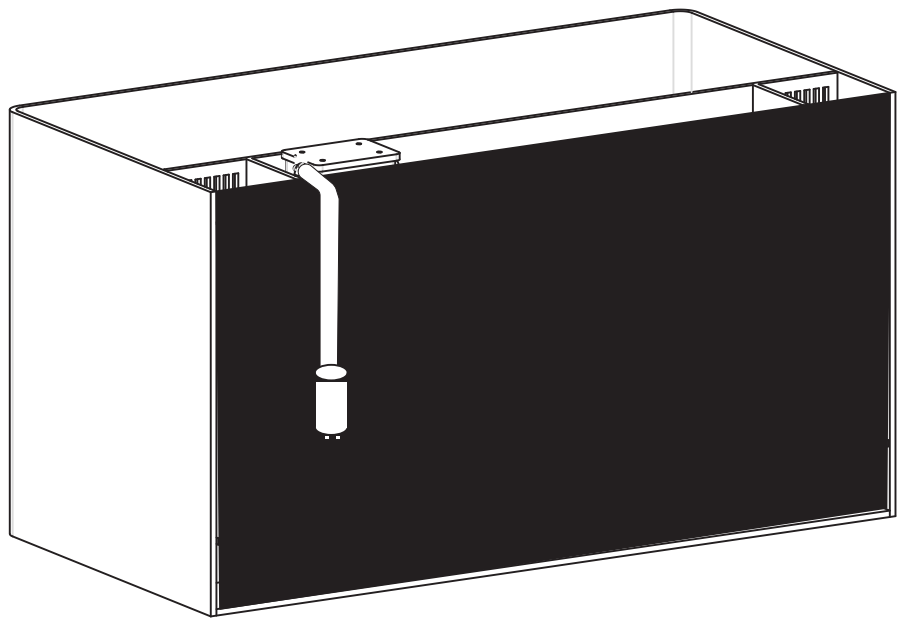


When placing your skimmer in the skimmer column, make sure the air intake is facing towards the rear of the aquarium.

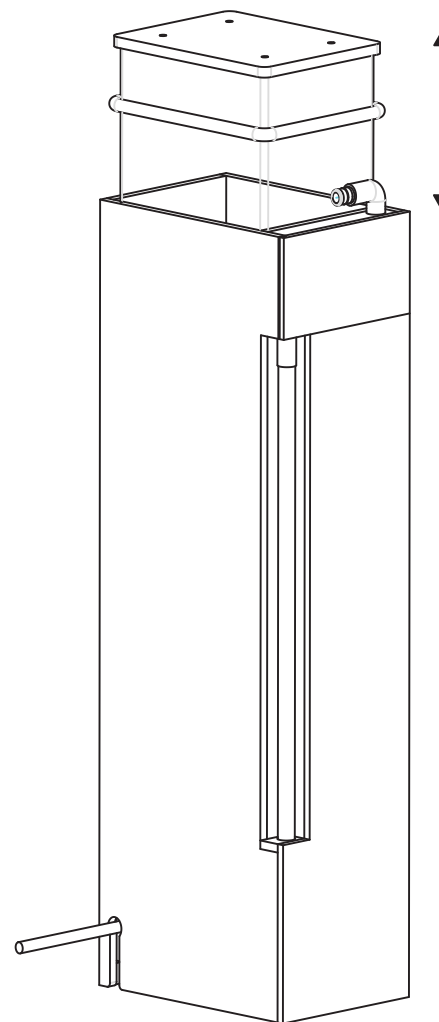


# HOW TO USE / INSTALL

Hang the **EXTERNAL SILENCER** over the rear of your aquarium and plug in your skimmer.

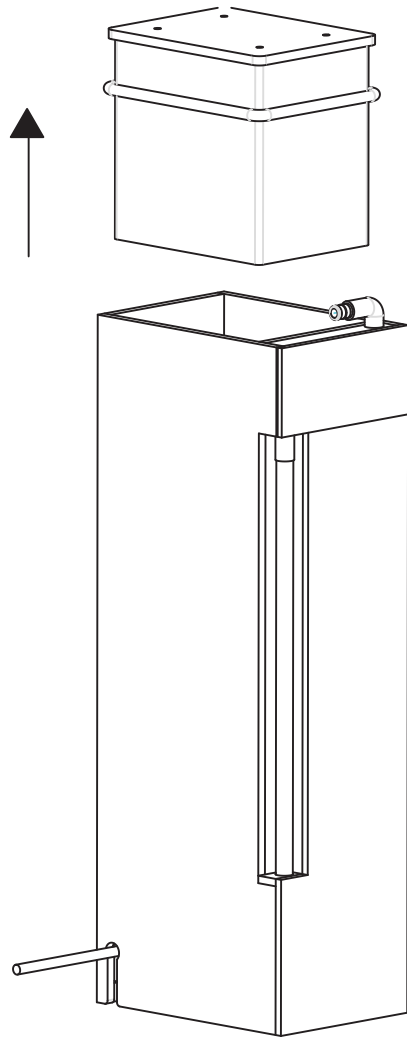


You can adjust the height of your **COLLECTION CUP** to your desired height level by moving the **COLLECTION CUP** up and down and setting it with the **BLACK O-RING**.



To remove waste from the NuvoSkim DC remove the **COLLECTION CUP** from the body.

Replace back into body when cleaned.



Unplug the NuvoSkim DC from electrical outlet before performing any maintenance.

Remove skimmer out from designated skimmer column.

Let the skimmer drain.

Carefully disconnect venturi airline from skimmer body.

Remove pump.

